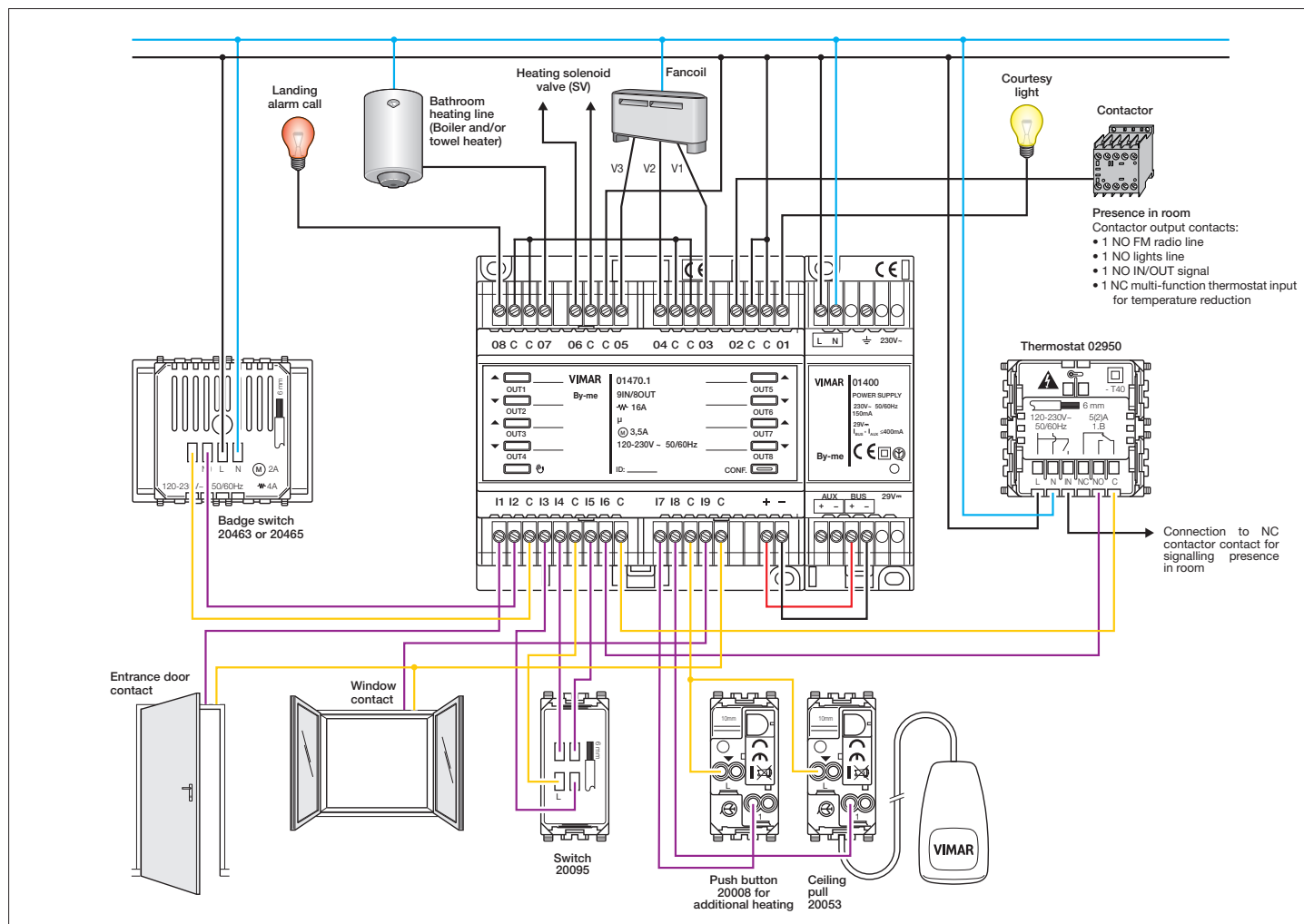


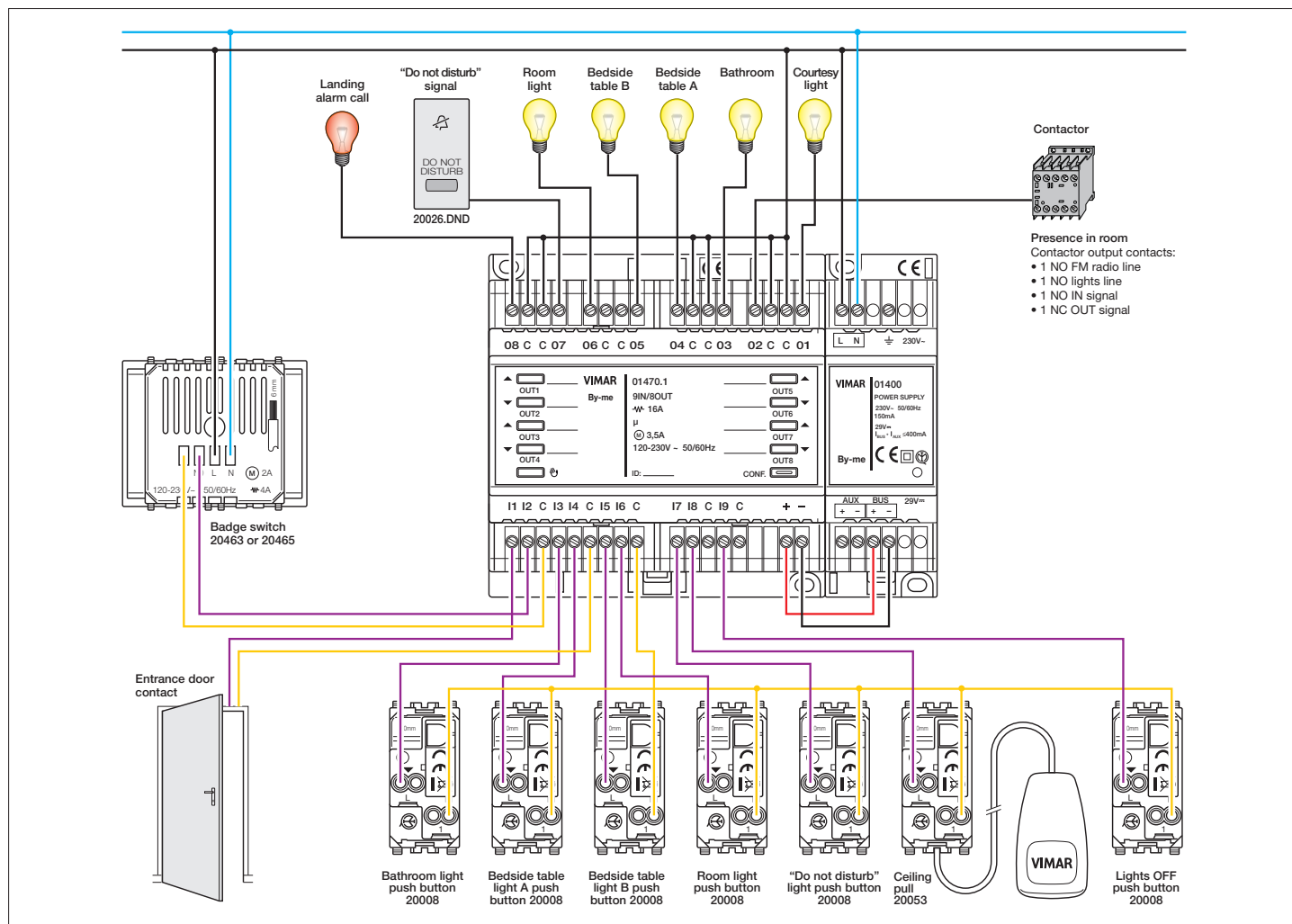
01470.1

EXAMPLE OF "HOTEL CLIMATE CONTROL" CONFIGURATION



INPUT	ACTION	OUTPUT
I1: Entrance door contact.	On opening, if there is nobody present in the room the courtesy light comes on for 30 s.	O1: Courtesy light circuit (the circuit is made upstream from O2).
I2: Contact on badge switch or presence detector.	It switches off the courtesy light and enables the "Welcome" scenario when the first presence in the room is detected; 10 minutes after detecting that there is no presence in the room, it switches off the lights, loads (activated with the "Welcome" scenario) and the "Do not disturb" signal.	O2: FM radio line, lights line, IN/OUT signal for landing calls and/or signalling in reception (there must be a contactor with 3 NO and 1 NC).
I3: Fancoil selector 1.	Fancoil management mode: - when first entering the room, if the set point set manually on the thermostat allows, activate V2 to reach the set temperature. - after this the speed is managed using the slide switch 20095.	O3: V1 fancoil
I4: Fancoil selector 2.		O4: V2 fancoil.
I5: Fancoil selector 3.		O5: V3 fancoil.
I6: Thermostat contact.	When the contact is closed relay O6 is closed (output for room solenoid valve or for summer-winter selector) only if I9 is closed, while when the contact is opened relay O6 is opened.	O6: Connection to the heating solenoid valve or, if present, input to the summer/winter selector.
I7: Push button for additional heating (for example, towel heater).	A long (< 2 s) or short press of the push button and the detection of presence in the room switch on the towel heater; it is switched off by another long or short press of the push button or when there is no longer anyone present in the room.	O7: Additional heating line (for example, towel heater).
I8: Ceiling pull.	ON landing call alarm and/or signalling in reception. Reset the alarm with a long press (5 s) on push button I7.	O8: Alarm signalling light.
I9: Window contact.	When is opened the fancoil outputs are deactivated while when it is closed the previous operation is restored.	-

EXAMPLE OF "HOTEL LIGHTS" CONFIGURATION



INPUT	ACTION	OUTPUT
I1: Entrance door contact.	On opening, if there is nobody present in the room the courtesy light comes on for 30 s.	O1: Courtesy light circuit.
I2: Contact on badge switch or presence detector.	It switches off the courtesy light and enables the "Welcome" scenario when the first presence in the room is detected; 10 minutes after detecting that there is no presence in the room, it switches off the lights, loads (activated with the "Welcome" scenario) and the "Do not disturb" signal.	O2: FM radio line, lights line, IN/OUT signal for landing calls and/or signalling in reception (there must be a contactor with 3 NO and 1 NC).
I3: Bathroom light push button.	Bathroom light toggle ON/OFF.	O3: Bathroom light circuit.
I4: Bedside table light A push button.	Bedside table A light toggle ON/OFF.	O4: Bedside table light A circuit.
I5: Bedside table light B push button.	Bedside table B light toggle ON/OFF.	O5: Bedside table light B circuit.
I6: Room light push button.	Room light toggle ON/OFF.	O6: Room light circuit.
I7: "Do not disturb" push button.	"Do not disturb" signal ON/OFF. Cancelled if there is no longer a presence in the room. A long press cancels the ceiling pull alarm.	O7: IN/OUT signalling (inside and outside the room).
I8: Ceiling pull.	ON landing call alarm and/or signalling in reception. Reset the alarm with a long press (5 s) on push button I7.	O8: Alarm signalling light.
I9: Lights OFF push button.	Switches off all the lights; if other devices 01470.1 in Plug & Play configuration are connected, it switches off the lights and lowers the roller shutters.	-