

EnOcean multi-function actuator with relay output NO 8 A 230 V~ programmable with switch function for local control, transferable local input as ON/OFF control for other EnOcean actuators, 230 V~ 50 Hz power supply.

The actuator with EnOcean module is able to receive the radio command from the radio frequency rocker button to actuate the connected load via the relay output. It can also be connected to a switch to control the local also locally or to a socket outlet to switch the load on/off via the radio control. With its compact dimensions, the actuator can be installed anywhere on the wall (behind the insert in the flush mounting box) or on the ceiling (false ceiling, etc.).

If there is no mains power supply, the actuator keeps the previous configuration.

TECHNICAL CHARACTERISTICS.

- Power supply: 230 V~, 50 Hz.
- Switching capacity: 230 V~ - 8 A
- Self-consumption: <1W
- Frequency range: 868.3 MHz
- Frequency band occupied: from 868.0 to 868.6 Mhz
- Max. RF power: +3dBm
- Range: up to 30 metres
- Operating temperature: 0 - 35 °C
- Maximum number of radio transmitters that can be stored: 24
- RGB LED for signalling the various configuration phases
- EEP (Profile EnOcean®): D2-01-0F
- Dimensions: 40 mm x 44 mm x 16.9 mm
- Weight: 34 g

CONTROLLABLE LOADS.

- Relay output with the following controllable loads:
 - resistive loads : 8 A (20,000 cycles);
 - incandescent lamps : 5 A (20,000 cycles);
 - fluorescent lamps : 58 W (5,000 cycles);
 - LED lamps : 100 W-230 V~ (20,000 cycles);
 - electronic transformers : 4 A (20,000 cycles);
 - cos φ 0.6 motors: 3.5 A (100,000 cycles).

INSTALLATION.

• **Installation 1 switch and 1 lamp.** By default all wired switches connected to the actuator work as "switch" ("two-way switch") with EnOcean® transmitters associated to the device.

Note: C and NO are relay contacts free from potential.

• **Identification of the switch configuration.** When powering up the actuator after configuration, press the switch it is connected to only once. An automatic identification procedure will be run to identify if a one-position stable or two-position stable switch is being used.

Note: The same configuration applies to both switch 1 and switch 2. **It is not possible to connect two different types of switch connected to a single actuator 01796.2.** To run the automatic identification again manually reset the device.

CONFIGURATION.

ACTUATOR OPERATING MODES

- **LOCAL CONTROL.** It is possible to switch the device on or off locally with a short press of the CONF button. This switches the output at the same time.
- **ASSOCIATION.** Two procedures (1 or 2) are available to access the association mode:
 1. Press the CONF button 3 times; the LED turns on, red, to indicate that the device is in "Association mode". Press CONF again to exit the "Association mode".
 2. If the switches are connected on P1 and/or P2 press any of the switches for which you wish to activate the "Association mode" three times. Consider that P1 controls the NO output while P2 doesn't control any output.

When the actuator is in "Association mode" switches output on/off every 1 s.

To associate a transmitter, see paragraph **Procedure for association as receiver**; the LED lights up in green to confirm the association procedure. If during the "Association mode" the LED flashes orange it means that the actuator memory is full or that, during the procedure, no transmitter has been associated. If the memory is full delete a transmitter and then associate the new one.

• **LED INDICATIONS DURING "LEARNING MODE".**

"Learning mode" PHASES	LED INDICATORS
Access to "Learning mode"	1 GREEN flash then turns to RED
Device enrolled	2 GREEN flashes
Deletion of enrolled device	2 RED flashes
Interruption of "Learning mode"	2 RED flashes
Error during "Learning mode"	2 RED flashes
Memory full (24 devices exceeded)	2 ORANGE flashes
"Learning mode" time-out	2 ORANGE flashes

• **DEVICE RESET.** Press CONF for more than 5 s until the LED turn on orange; when the button is released the LED remains on and you are in "Reset Mode". Press CONF once to reset; the

LED flashes red and green to confirm the operation. In "Reset Mode" the button must be pressed within 30 s after which, if no operations are performed, the LED stops flashing and no reset is run.

PROCEDURE FOR ASSOCIATION AS RECEIVER.

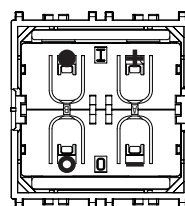
- EnOcean® Switch, Type "rocker button control" (EEP: F6-02-01).

To associate this transmitter to the actuator proceed as follows:

1. Activate the "Association mode" on the device.
2. Press any button on the radio control. The button pressed during the association process is the one that activates the selected channel while the other button switches off the selected channel.

N.B. If you wish to associate an up/down rocker (right or left) during the configuration phase, press the upper push button first, followed by the lower push button (or vice-versa, if you wish to assign ON to the lower push button and OFF to the upper push button, press the lower push button first, then the upper one). Pressing only one of the 4 push buttons during the configuration phase will keep the relay active solely for the duration of that single push button press.

For example:



Association mode	Use	
	Button pressed on the transmitter	State of actuator 01796.2
Associated button during the "Association mode"	●	ON
	○	OFF
●	○	ON
	●	OFF
+	+	ON
	-	OFF
-	-	ON
	+	OFF

To delete the association of a transmitter activate the "Association mode" and press any button on the transmitter. The device can no longer control the selected channel on the actuator 01796.2.

PROCEDURE FOR ASSOCIATION AS TRANSMITTER.

When the switches are connected to inputs P1 and/or P2 they can operate as EnOcean® transmitters; once configured, via actuator 01796.2, they can control any other EnOcean®-compatible receiver.

To associate actuator 01796.2 to another receiver proceed as follows:

1. Activate the "Association mode" on the receiver.
2. Press the button on the connected switch to be associated to the receiver once.

At the end of the association procedure, the state (ON or OFF) of the output on actuator 01796.2 determines the "ON" state of the associated receiver.

Example.

If you want the receiver to be synchronised with the actuator, associate the button by moving the output to ON; vice versa, if you don't want the receiver to be synchronised, associate the button by switching the output to OFF.

To delete the association of actuator 01796.2 from another receiver activate the "Association mode" on the receiver and press the button on the switch associated to the receiver once.

SUPPORTED PROFILES (EEP)

F6-02-01	F6-04-01	F6-10-00	D5-00-01	A5-07-01
A5-07-02	A5-07-03	A5-08-01	A5-08-02	A5-08-03
A5-10-19	A5-10-18	A5-10-1A	A5-10-1B	A5-10-1C
A5-10-1D	A5-10-01	A5-10-05	A5-10-08	A5-10-0C
A5-10-10	A5-10-13	A5-10-16	A5-10-17	A5-10-0A
A5-10-0B	A5-14-01	A5-14-02	A5-14-03	A5-14-04

INSTALLATION RULES.

- Installation must be carried out by qualified persons in compliance with the current regulations regarding the installation of electrical equipment in the country where the products are installed.
- During product installation the supply voltage **MUST BE DISCONNECTED**. Disconnect directly at the main switch.
- Consider that the LED will always be green when the device is on. Remember to switch off the supply voltage (green LED off) before modifying the connections in any way.

REGULATORY COMPLIANCE.

RED Directive. Standards EN 60669-2-1, EN 300 220-2, EN 301 489-3, EN 62479.

Vimar SpA declares that the radio equipment complies with Directive 2014/53/EU. The full text of the EU declaration of conformity is on the product sheet available on the following website: www.vimar.com

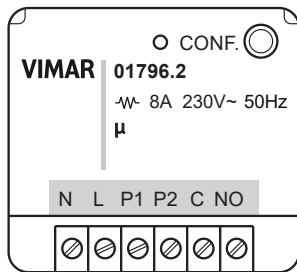
REACH (EU) Regulation no. 1907/2006 – Art.33. The product may contain traces of lead.



WEEE - Information for users

If the crossed-out bin symbol appears on the equipment or packaging, this means the product must not be included with other general waste at the end of its working life. The user must take the worn product to a sorted waste center, or return it to the retailer when purchasing a new one. Products for disposal can be consigned free of charge (without any new purchase obligation) to retailers with a sales area of at least 400 m², if they measure less than 25 cm. An efficient sorted waste collection for the environmentally friendly disposal of the used device, or its subsequent recycling, helps avoid the potential negative effects on the environment and people's health, and encourages the re-use and/or recycling of the construction materials.

FRONT VIEW

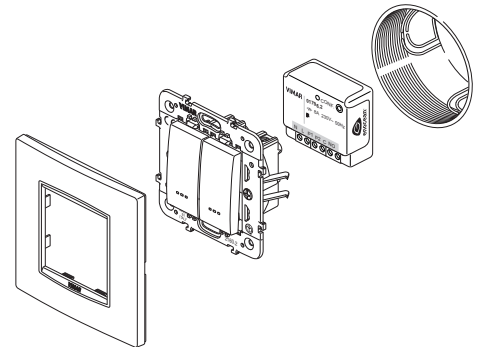


LED: Configuration LED
 CONF: Configuration button
 N: Neutral
 L: Phase
 P1: Switch input 1
 P2: Switch input 2
 C, NO: Relay output

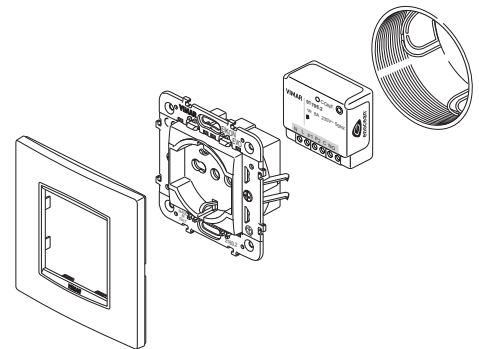
Caution: Each terminal can house only one cable with max. section 2.5mm².

INSTALLATION EXAMPLES

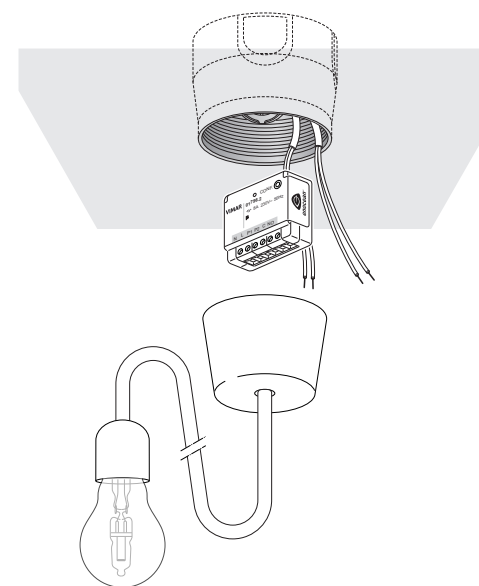
1.



2.

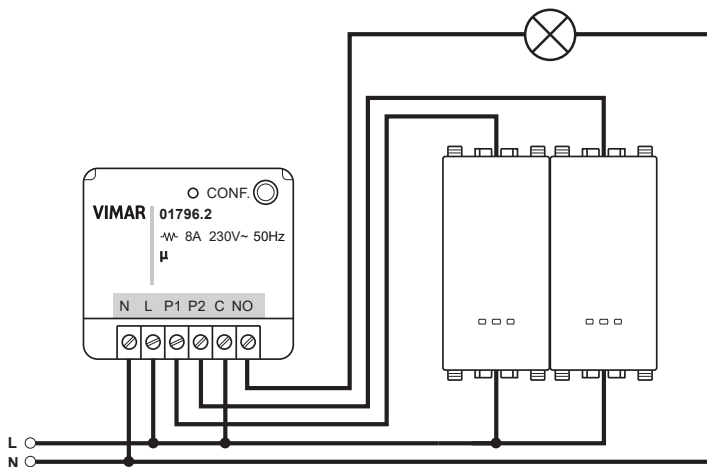


3.



CONNECTION EXAMPLES

1. INSTALLATION DIAGRAM FOR 1 SWITCH AND 1 LAMP



2. INSTALLATION DIAGRAM WITH SOCKET OUTLETS

