


## 03983 - Connected 3in 1out module


The retrofit connected relay module is equipped with 3 SELV programmable digital inputs and 1 programmable NO/NC SELV relay output; specifically:

- P, IN1, IN2 are inputs for voltage-free contacts with the following functions:
  - P (only connected to a push button): configuration, reset or activation of the on-board relay;
  - IN1 and IN2: activation of up to 3 scenarios, depending on the combination of inputs 0-1, 1-0, 1-1 (except for case 0-0);
  - IN1 and/or IN2: activation of push notifications, control of a group of lights/roller shutters with 1 input/various or interface with sensors to send their status.
- N.B. for roller shutters use push buttons art. xx062 and xx066.
- Relay output with voltage-free contact which, regardless of the input configuration, can be configured in "Lights", "Accesses" and "Various" applications.



Download the View Wireless  App from the stores onto the tablet/smartphone you will be using for configuration.

When the device is powered for the first configuration, we recommend you search for any new firmware and perform the update.

You will also need:

Gateway art. 30807.x-20597-19597-14597
View App  for management via smartphone/tablet
Amazon Alexa, Google Assistant, Siri (Homekit) voice assistants for possible voice operation.

### CONFIGURATION IN Bluetooth®

1. Create your Installer account on MyVIMAR (on-line).
2. Wire all the devices in the system (2-way switches, relays, thermostats, gateway, etc.).
3. Start the View Wireless App and log in with the credentials you just created.
4. Create the system and the environments.
5. Associate all the devices with the environments, except for the gateway (which should be associated last).
  - To associate the relay module:
    - Select "Add" (  ), choose the environment to place it and give it a name
    - Select  ; activate the Bluetooth connection on your tablet/smartphone and approach the relay module
    - Press the push button connected to P and set the desired function
6. For every device, set the function, the parameters and any accessory devices (wired or radio control and related function).
7. Transfer the configuration of the devices to the gateway and connect it to the Wi-Fi network.
8. Transfer the system to the Administrator user (who must have created his/her profile on MyVIMAR).

For details, see the View Wireless App manual that can be downloaded from the [www.vimar.com](http://www.vimar.com) website.

### CONTROLLABLE LOADS.

- Voltage-free contact output, SELV (to operate only low voltage loads such as gates/locks/solenoid valves).
  - 4A AC-1, 12/24 VAC
  - 4A DC-1, 12/24 VDC
  - 0.8A DC-13, 24VDC

AC-1, DC-1 and DC-13 represent standardised duty categories that establish the current values that the output must be able to withstand (according to IEC 947 standard).

### RESETTING THE 03983 MODULE.

The reset restores the factory settings. Within the first 5 minutes from powering, press the push button connected to P for 30 s until LED flashes white.

### INSTALLATION RULES.

- Installation and configuration must be carried out by qualified persons in compliance with the current regulations regarding the installation of electrical equipment in the country where the products are installed.
- The relay output is SELV type.
- Installation must be carried out with the system switched not powered.
- The device can be installed in flush mounting boxes only in correspondence with 2 adjacent blank modules.
- The input conductors can be extended up to a maximum of 20 m with a cable featuring double insulation and a minimum cross-section of 0.22 mm<sup>2</sup>.
- In Access Control systems, envisage a door opening emergency mode in the event of a power failure.

**IMPORTANT:** The SELV circuit conductors are insulated for a rated voltage of 300 V (UL 1061 standard) and they can therefore co-exist with the conductors powered with up to 230 V~. When making the connections you must be careful to maintain the insulation between the SELV circuit and the dangerous voltage circuits as required by the installation regulations.

### CHARACTERISTICS.

- Rated supply voltage: 100-240 V~, 50/60 Hz.
- Dissipated power: 0.60 W
- RF transmission power: < 100mW (20dBm)
- Frequency range: 2400-2483.5 MHz
- Terminals: 2 (L and N) for phase and neutral;
- Inputs:
  - P controls the relay output directly, setting the device to configuration mode during enrolment and enabling its reset.
  - IN1, IN2 to call up a scenario or for DND signalling via bipolar 1-way switch 30016.x-20015.0-19015.0-14015.0+ XX026.DND+ 00936.250.X in case of "relay change-over" with landing reader xx462.
- For the inputs use push buttons art. xx008-16080-30054-xx052-16083.
- If the device is not configured, P controls the relay output whereas IN1 and IN2 are not active.
- RGB LED that indicates the configuration status (flashing blue).
- Module 03983 can be associated with up to 2 flat controls (art. 03925) which make it possible to control the actuator or activate one or more scenarios.
- The device works as a repeater node for battery-operated devices (for instance art. 03980).
- Operating temperature: -25 ÷ +55 °C.
- Protection degree: IP20
- Controllable via View App, Amazon Alexa, Google, Siri and Homekit voice assistant for Bluetooth technology system

### OPERATION

The 03983 module is designed to:

- call up to 4 scenarios depending on the status of inputs IN1 and IN2.
- associate the flat control 30504-03925 which can be configured to control the actuator on-board or to call up one or more scenarios.
- open an entrance configured as "Accesses";
- perform Access Control functions via the View Key App (similarly to those of a landing reader configured as "Accesses");
- implement the room presence function by connecting IR or UWB radar sensors or magnetic contacts with two wired inputs;

N.B. For the above functions please see the table entitled "CONNECTIONS TO MAKE PER APPLICATION TYPE".

Through the use of gateway 30807.x-20597-19597-16497-14597 the functions can be managed via the View App, and the control is also available via the Amazon Alexa, Google Assistant and Siri voice assistants.

The device is compatible with Homekit.

### Settings.

The View Wireless App can be used to set the following parameters:

- Load status when the voltage is restored: off, on or previous status (default: previous status).
- Relay operation: two-position stable or one-position stable (default: two-position stable).
- One-position stable activation time (minimum activation time 1 s; default: 60 s).
- Control unit scenario activation delay.
- Presence check time, or "Waiting time" (settable in 1 s steps; default 60 s).
- Presence check time delay, or "Waiting time delay" (settable in 1 s steps; default 120 s).

### REGULATORY COMPLIANCE.

RED Directive. RoHS directive.

Standards EN IEC 60669-2-1, EN IEC 63000, EN 301 489-17, EN 300 328, EN 62479.

Vimar SpA declares that the radio equipment complies with Directive 2014/53/EU. The full text of the EU declaration of conformity is on the product sheet available on the following website: [www.vimar.com](http://www.vimar.com)

REACH (EU) Regulation no. 1907/2006 – Art.33. The product may contain traces of lead.

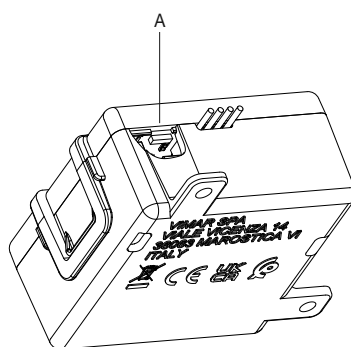
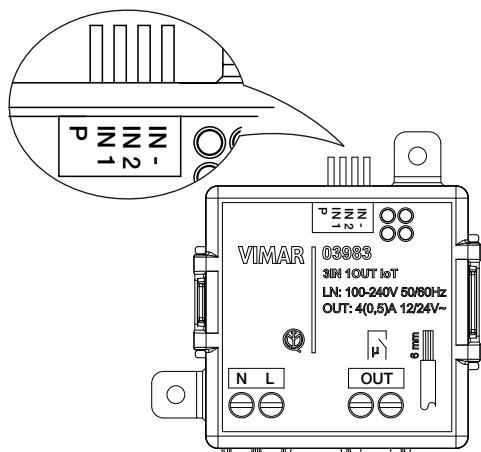


#### WEEE - User information

The crossed out bin symbol indicates that the product must be sent to separate collection facilities for recovery and recycling, in compliance with the national laws of EU Countries that implement the WEEE Directive. The objective is to prevent any harmful effects on the environment and on human health by ensuring that products are disposed of correctly, avoiding illegal disposal sanctioned by law. To dispose of the product correctly, please check local dispositions in your country.

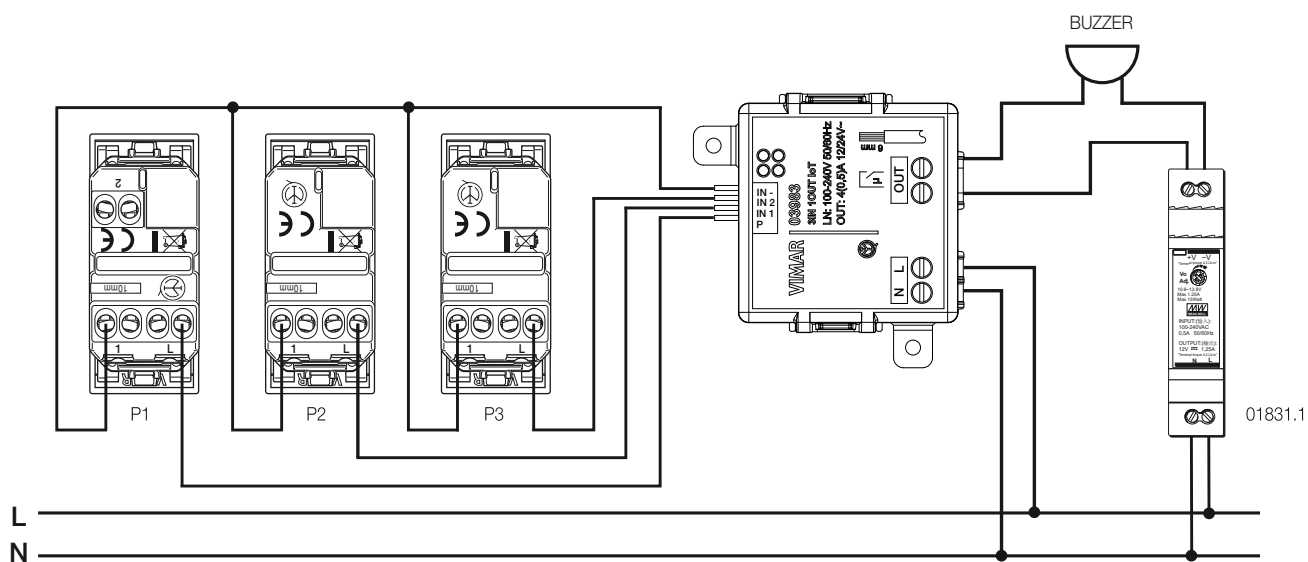
The Apple, iPhone and iPad logos are trademarks of Apple Inc., registered in the United States and in other Countries and Regions. App Store is a service trademark of Apple Inc. Google is a trademark of Google LLC. Amazon, Alexa and all related logos are trademarks of Amazon.com, Inc. or its affiliates.

FRONT VIEW



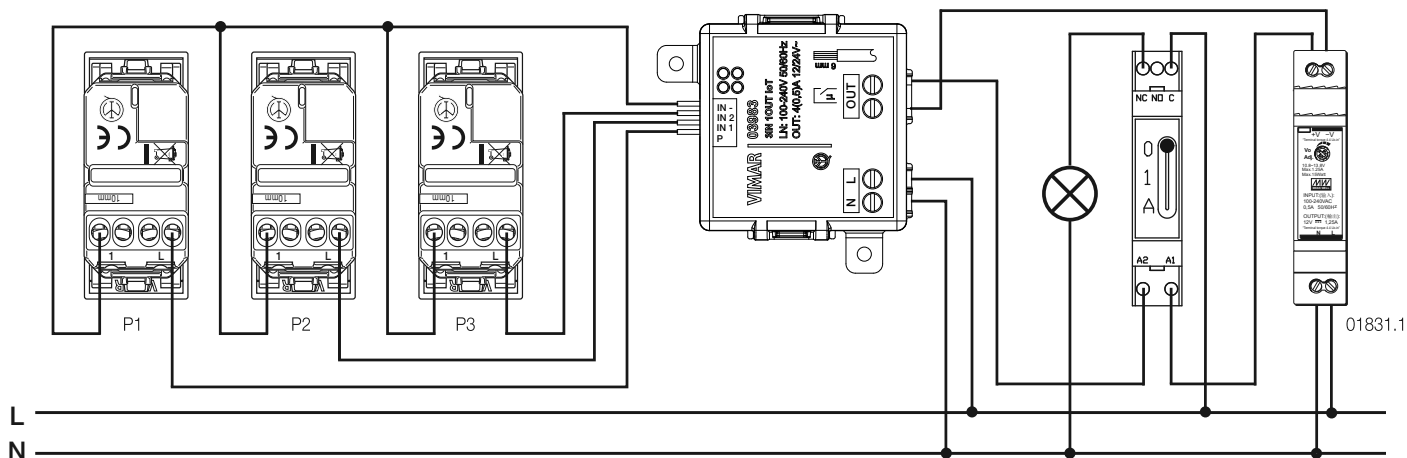
- A: Configuration LED
- N: Neutral
- L: Phase
- OUT: SELV NO/NC relay output
- IN-: Common inputs
- P, IN1, IN2: Programmable digital inputs

CONNECTION FOR ACOUSTIC SIGNALLING AND ACTIVATION OF TWO SCENARIOS



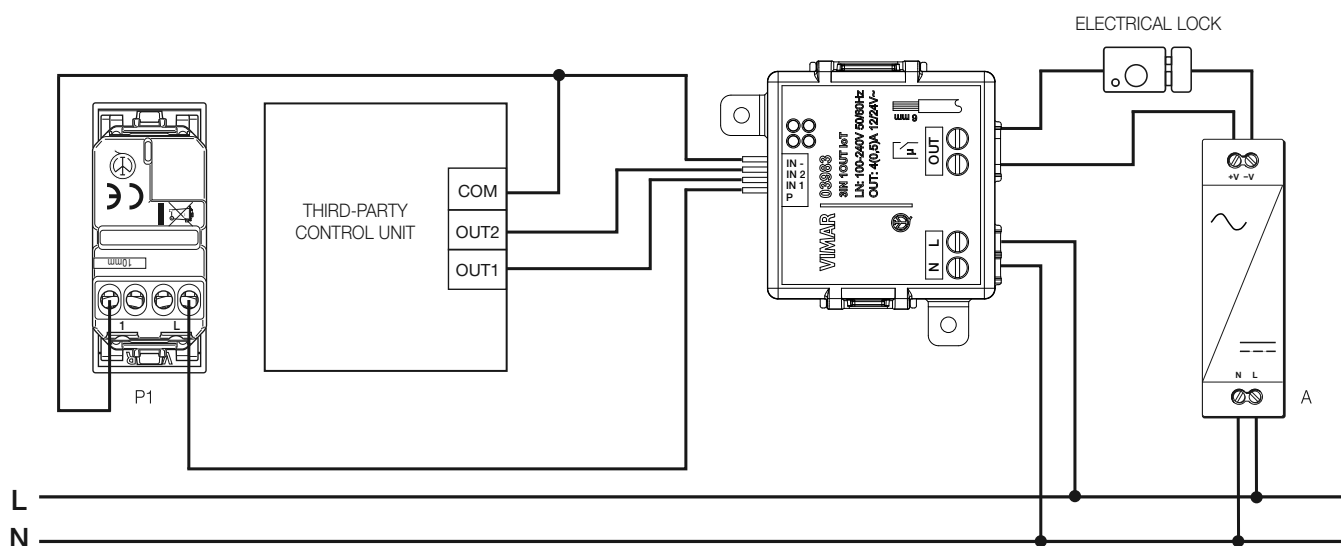
P1: Buzzer control push button (art. 30054-xx052-16083)  
 P2, P3: Scenario control push button (art. xx008-16080).

### CONNECTION FOR LIGHT CONTROL



P1: Lamp control push button  
 P2, P3: Control push buttons for scenarios

### CONNECTION FOR SCENARIOS DEPENDENT UPON THE INPUTS



P1: Door release push button  
 A: Power supply unit  
 Third-party control unit with voltage-free contact outputs: scenario control

COMBINATION EXAMPLES		
IN1	IN2	Selected scenario
0	0	Scenario 1 (not used)
0	1	Scenario 2 (for instance "Entry")
1	0	Scenario 3 (for instance "Exit")
1	1	Scenario 4 (for instance "Relax")

0 = Open  
 1 = Closed

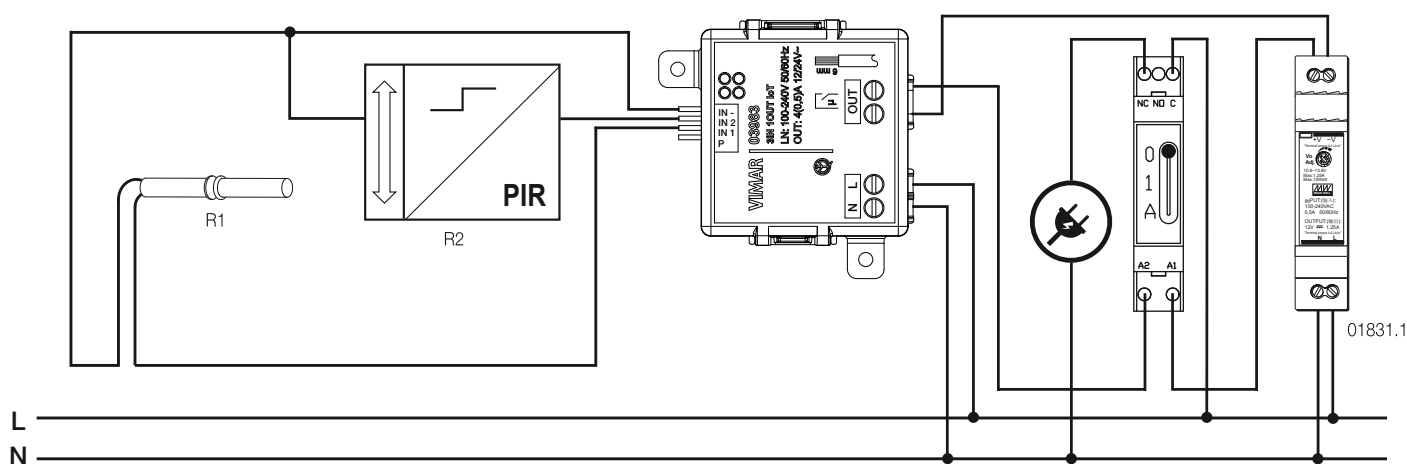
## PRESENCE IN ROOM LOGIC

The purpose of the "Presence in room logic" function is to activate a load (usually the one requiring the most energy) only when it needs to be used, i.e. when the guest is in the room. The logic processes the two inputs (door and presence detector) and depending on the conditions, it activates or deactivates the output controlling the load.

The View Wireless App makes it possible to set the following parameters:

- Input and output parameters
  - IN1 polarity: NO or NC (default NC)
  - IN2 polarity: NO or NC (default NO)
  - OUT polarity: NO or NC (default NO)
- Presence in room logic parameters
  - Presence check time, or "Waiting time" (in 1 s steps, default 60 s)
  - Presence check time delay, or "Waiting time delay" (1 s steps, default 120 s)
  - OFF scenario activation delay (in 1 s steps; default 1 s)
  - ON scenario activation delay (in 1 s steps; default 1 s)
  - ON scenario activator enabling: ON or OFF (default OFF)
  - ON scenario activator name (default "Welcome scenario")
  - OFF scenario activator enabling: ON or OFF (default OFF)
  - OFF scenario activator name (default "Room free scenario")

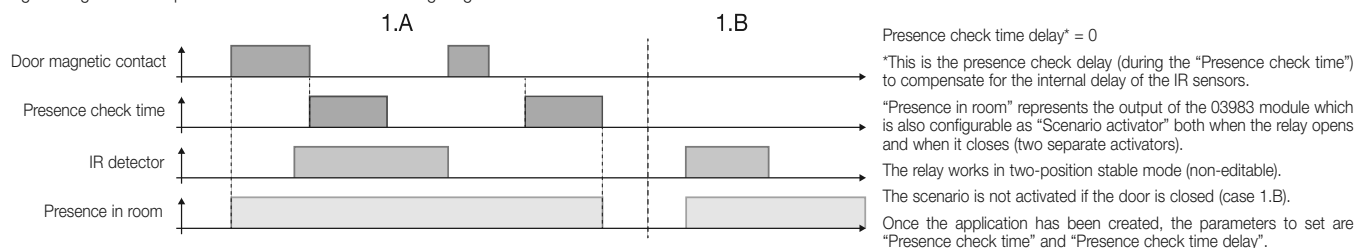
### Connection example with magnetic contacts and traditional IR detector.



R1: Flush mounting magnetic contact art. 01820  
R2: IR detector with voltage-free contact output

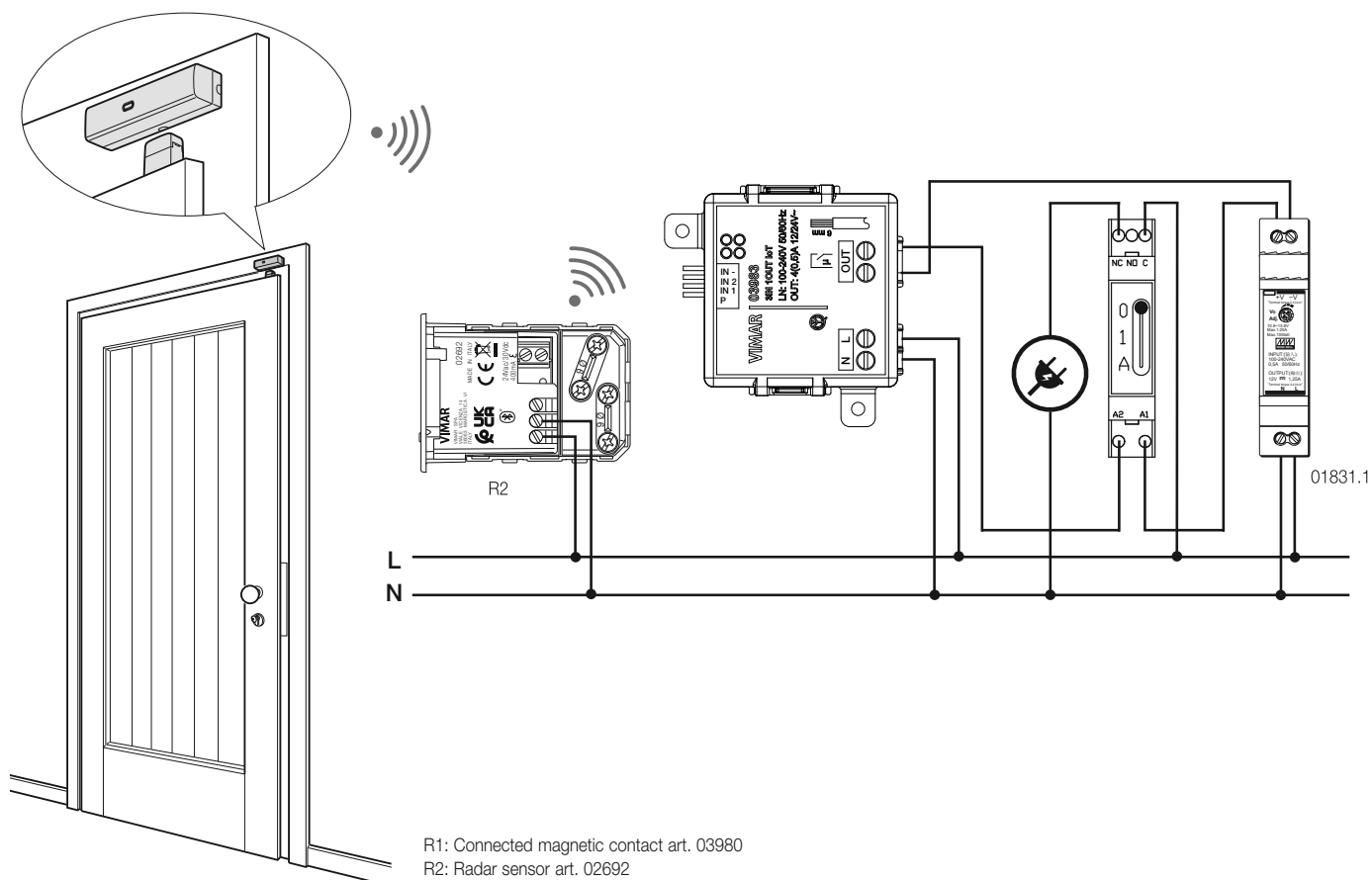
This type of connection makes it possible to configure the 03983 module as a logic presence sensor where IN1 and IN2 are wired to traditional unconnected devices.

The logic that governs its operation is illustrated in the following diagram:



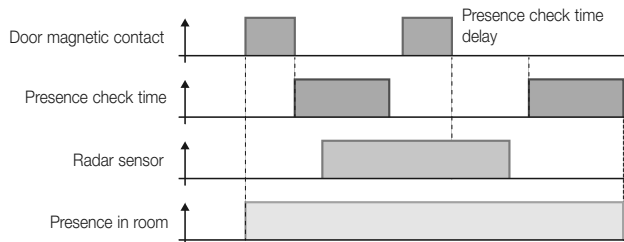
1. When the room is empty and off, when the door, i.e. the magnetic contact, is opened, the system closes the relay contact; in addition, if this option is set, one of the available scenarios is activated.
2. For as long as the door stays open, the room remains active (relay contact closed) and the status of the IR detector is not taken into consideration.
3. When the door is closed, the "Presence check time" starts, during which the status of the IR detector is detected.
4. If the detector captures at least one movement or detects the presence of a person at least once during the "Presence check time" then the presence is confirmed. The "Presence check time" stops and the information sent by the detector is no longer taken into consideration. On the contrary, if no movements or presences are detected during the "Presence check time", when the latter expires the relay contact is opened and, if the option has been set, one of the available OFF scenarios is activated.
5. The situation remains unchanged (guest present or guest absent) until the door is reopened, setting off the cycle again.
6. If the relay is already active with the contact closed (presence in the room already confirmed) when the door is opened, nothing else happens.
7. If more people are present in the same room and one leaves, activating the cycle, while the second person is not detected because they are immobile or undetectable (for instance, they may be in bed) then the room turns off. In this case, at the first movement/presence detection the cycle is activated by closing the relay alone (presence confirmed without scenario activation) until the next time the door is closed and a new control cycle commences.

Connection example with connected magnetic contact and radar sensor.



This type of connection allows the module 03983 to be configured as a logic presence sensor which communicates via Bluetooth with the View Wireless sensors (magnetic contact 03980 and radar sensor 02692).

The logic that governs its operation is illustrated in the following diagram:



Presence check time = 75 s  
Presence check time delay\* = 100 s

\*This is the presence check delay (during the "Presence check time") to compensate for the internal delay of the radar sensors.

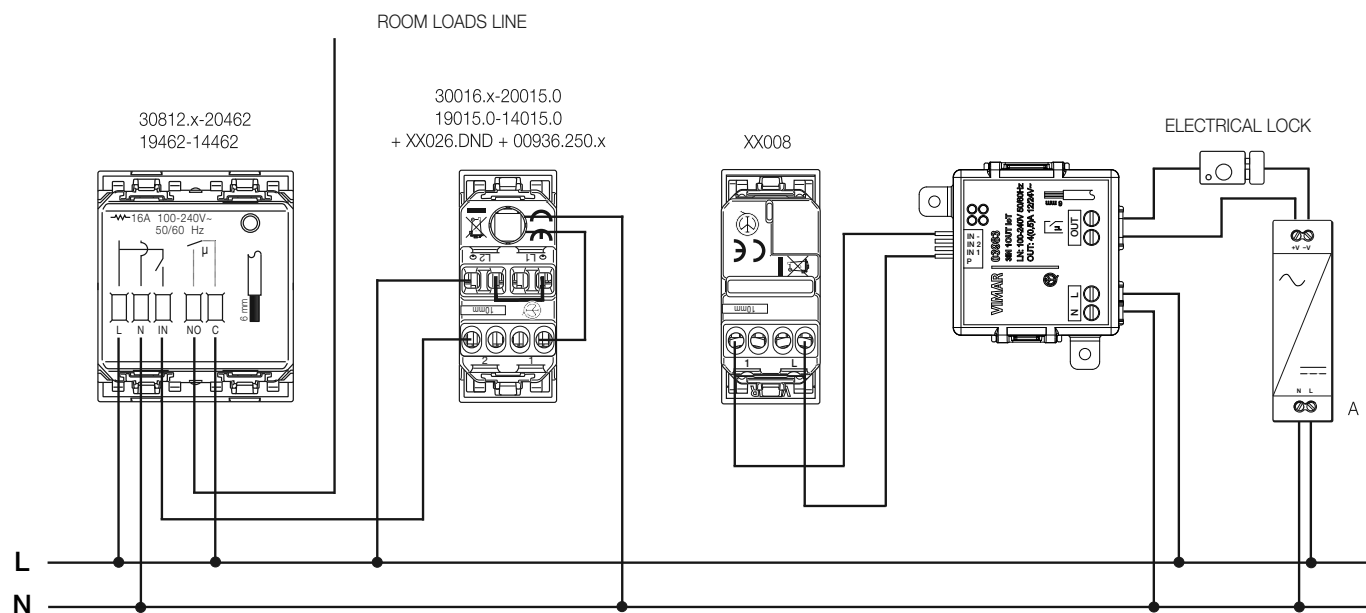
"Presence in room" represents the output of the 03983 module which is also configurable as "Scenario activator" both when the relay opens and when it closes (two separate activators).

The relay works in two-position stable mode (non-editable).

The scenario is not activated if the door is closed.

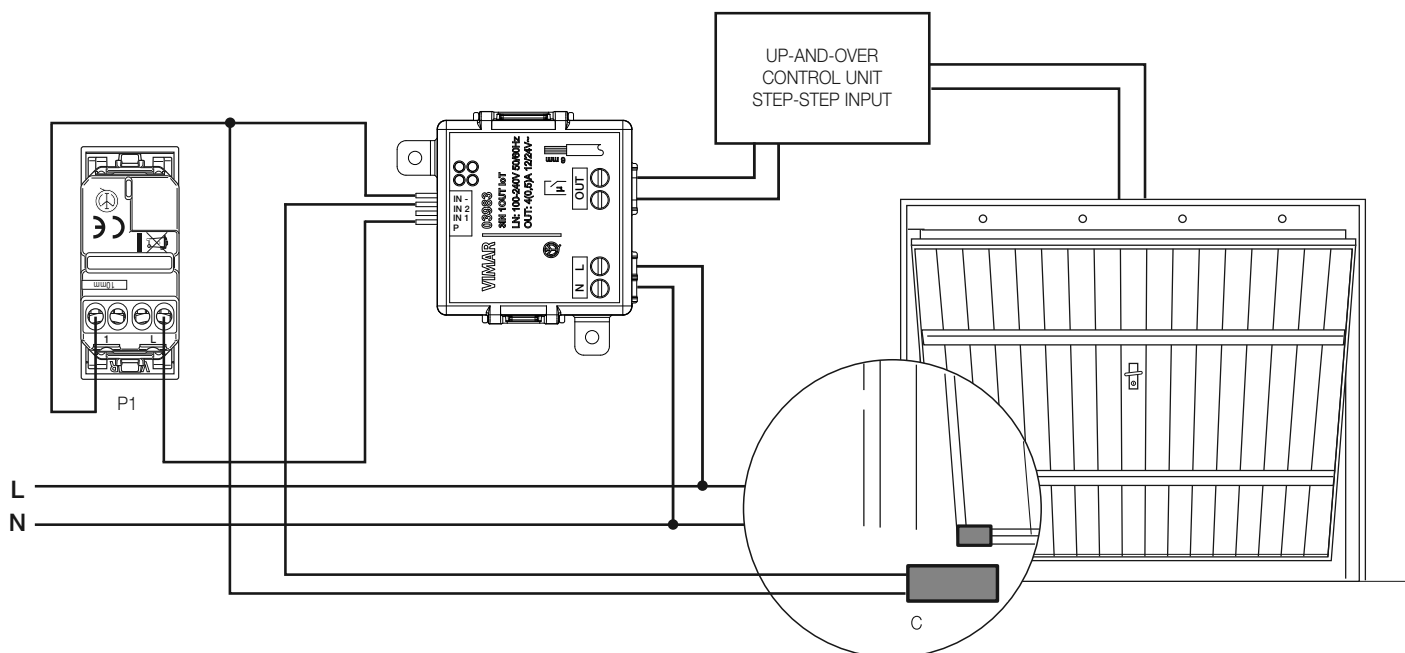
1. When the room is empty and off, when the door, i.e. the connected magnetic contact, is opened, the system closes the relay contact; in addition, if this option is set, one of the available scenarios is activated.
2. For as long as the door stays open, the room remains active (relay contact closed) and the status of the radar sensor is not taken into consideration.
3. When the door is closed, after a delay time set to avoid the internal sensor delay, the "Presence check time" starts, during which the status of the radar sensor is detected.
4. If the sensor captures at least one movement or detects the presence of a person at least once during the "Presence check time" then the presence is confirmed. The "Presence check time" stops and the information sent by the sensor is no longer taken into consideration. On the contrary, if no movements or presences are detected during the "Presence check time", when the latter expires the relay contact is opened and, if the option has been set, one of the available OFF scenarios is activated.
5. The situation remains unchanged (guest present or guest absent) until the door is reopened, setting off the cycle again.
6. If the relay is already active with the contact closed (presence in the room already confirmed) when the door is opened, nothing else happens.
7. If more people are present in the same room and one leaves, activating the cycle, while the second person is not detected because they are immobile or undetectable (for instance, they may be in bed) then the room turns off. In this case, at the first movement/presence detection the cycle is activated by closing the relay alone (presence confirmed without scenario activation) until the next time the door is closed and a new control cycle commences.

CONNECTION FOR DND SIGNALLING VIA BIPOLAR 1-WAY SWITCH IN THE CASE OF "RELAY CHANGE-OVER" WITH LANDING READER



A: Power supply unit

CONNECTION FOR OPENING UP-AND-OVER DOORS



C: Magnetic contact for protecting up-and-over doors, sectional doors, roller shutters (art. 01824).

N.B. Opening can also be done via the View Key App.

CONNECTION TO MAKE PER TYPE OF APPLICATION					
Application	P	IN1	IN2	OUT	Notes
Lights, Various	Push button for Lamp	Load 1 Control	Load 2 Control	Lamp	Loads 1 and 2: generic loads IN1 and IN2: for instance 30008.x or 30000.x
Accesses and presences (release of a lock) + Scenarios	Door release push button	Scenario 1	Scenario 2	SELV electrical lock	Door with SELV electrical lock. Opening from View App. IN1 and IN2: for instance push button art 30008.x
Access Control Virtual Reader + Scenarios	Door release push button	Scenario 1	Scenario 2	SELV electrical lock	Door with SELV electrical lock. Opening from View Key App or locally with P. IN1 and IN2: for instance push button art 30008.x
Room Presence Logic	-	By-alarm Plus wired magnetic contacts or radio contact art. 03980	Wired IR sensor or Radar sensor art. 02692	Room load Control Relay	Integrated Room Presence Logic
Room control unit for scenario management + Door release	Door release push button	IN1	IN2	SELV electrical lock	Door with SELV electrical lock. Opening from View App. IN1 and IN2: Third-party room Control unit output. Scenarios: scenarios that depend on the status of IN1 and IN2
Up-and-over door and Gate Control unit	Gate release push button	Gate magnetic contact	Up-and-over door magnetic contact	SELV electrical lock on gate	Gate with SELV electrical lock. Opening from View App. Status of Gate and Up-and-over door on View App. Push notification in IN1 and/or IN2 contact opening/closing. Scenario activation in IN1 and/or IN2 contact opening/closing.
Scenarios and Gate Control unit	Gate release push button	Sensor A	Sensor B	SELV electrical lock on Gate	Gate with SELV electrical lock. Opening from View App. Status of sensors on View App. Push notification in Sensor A and/or B opening/closing Scenario activation in Sensor A and/or B opening/closing