

09473 - Connected dial thermostat

TWO OPERATING MODES (ALTERNATIVE)

Stand alone • Bluetooth

Download the View Wireless App from the stores onto the tablet/smartphone you will be using for configuration.

When the device is powered for the first configuration, we recommend you search for any new firmware and perform the update.

Depending on the mode you select, you will need:

Stand alone	Bluetooth
Nothing else	Gateway art. 0K14597.01
	View App for management via smartphone/tablet
	Amazon Alexa, Google Assistant, Siri and Homekit voice assistants for possible voice operation

Create your Installer account on MyVimar (on-line).

STAND ALONE CONFIGURATION

1. Wire all the thermostats.
2. Start the View Wireless App and log in with the credentials you just created.
3. Create the system and the environments.
4. Associate all the thermostats with the environments.
To associate the thermostat:
 - Select "Add" (), choose the environment to place it and give it a name
 - Select ; activate the Bluetooth connection on your tablet/smartphone and approach the thermostat
 - Press for 5 s; the ring flashes blue and association is complete.
5. For each thermostat, set the functions and parameters.
6. Go to the "Temperature control" menu and for each thermostat set the time schedules, the setpoints for the operating modes and the current time.

CONFIGURATION IN Bluetooth

1. Wire all the devices in the system (2-way switches, relays, thermostats, gateway, etc.).
2. Start the View Wireless App and log in with the credentials you just created.
3. Create the system and the environments.
4. Associate all the devices with the environments, except for the gateway (which should be associated last).
To associate the thermostat:
 - Select "Add" (), choose the environment to place it and give it a name
 - Select ; activate the Bluetooth connection on your tablet/smartphone and approach the thermostat
 - Press for 5 s; the ring flashes blue and association is complete.
5. For every device, set the function, the parameters and any accessory devices (wired or radio control and related function).
6. Transfer the configuration of the devices to the gateway and connect it to the Wi-Fi network.
7. Transfer the system to the Administrator user (who must have created his/her profile on MyVimar).

For full details, see the View Wireless App manual that can be downloaded from the www.vimar.com website.

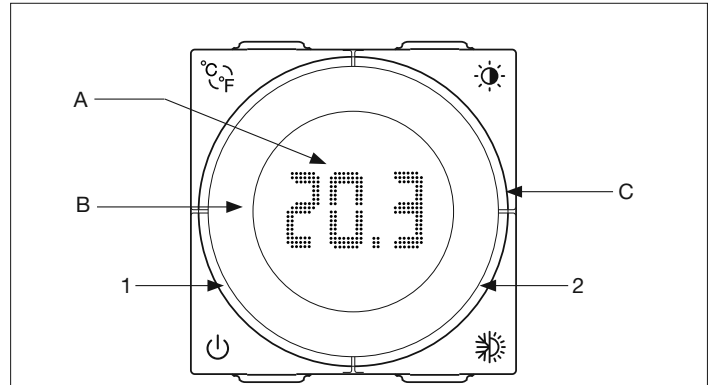
RESETTING THE THERMOSTAT

The reset restores the factory settings. Within the first 5 minutes of powering, press for 30 s; during these 30 s the ring flashes blue and then emits 2 white flashes to confirm the operation.

THERMOSTAT DATE/TIME SETTING

In the event of a mains voltage outage, if the thermostat is configured in Stand alone and the "ON Mode"-Automatic is set, the date and time can be inserted directly on the device without using the App.

1. Press ; you have entered the "Time entry" phase; during this phase, keys , and are not operational.
2. Turn the ring and display the number representing the desired day of the week (1=Monday, 2=Tuesday, 3=Wednesday and so on).
3. Confirm by pressing ; now proceed and set the time.
4. Turn the ring and display the number representing the hours (00, 01, 02 and so on all the way to 23).
5. Confirm by pressing ; now proceed and set the minutes.
6. Turn the ring and display the number representing the minutes (00, 01, 02 and so on all the way to 59).
7. Confirm by pressing ; the thermostat returns to the state it was in before the blackout and the display and part 2 of the ring stop flashing.



	<ul style="list-style-type: none"> • Short press = degrees Celsius/Fahrenheit selection • Long press (5 s) = the thermostat enters the configuration phase (bt) • Prolonged press (30 s) within the first 5 min of powering = device reset (rst)
	<p><i>Display brightness and RGB LED in standby setting</i></p> <ul style="list-style-type: none"> • 1st press = current brightness display • Subsequent presses = cyclic display of available brightness values L-3 (high), L-2 (medium), L-1 (low) and L-0 (off).
A	<p><i>Display</i></p> <ul style="list-style-type: none"> • bt = devices in Bluetooth configuration • off = thermostat off; on = thermostat on • °C = degrees Celsius; °F = degrees Fahrenheit • L-0, L-1, L-2, L-3 = brightness in standby (from the lowest to the highest) • H = heating; C = air conditioning • opn = open window (associated with the thermostat via magnetic contact art. 03980)
B	Dial
C	Lightable ring
	<ul style="list-style-type: none"> • Power on and off. <p>Upon power on or off, the thermostat starts in the last operating mode associated with it set via the View App.</p>
	<ul style="list-style-type: none"> • Heating or air conditioning mode selection.

Ring signalling	
All flashing blue = thermostat in configuration mode	
All lit amber* = thermostat in heating mode and relay active	
All lit blue** = thermostat in air conditioning mode and relay active	
1	<ul style="list-style-type: none"> • Lit amber * = thermostat in heating mode and relay not active • Lit blue ** = thermostat air conditioning mode and relay not active <p>In standby, the brightness is set during configuration; otherwise, the value is the maximum one.</p>
2	<ul style="list-style-type: none"> • Flashing red = the thermostat, in automatic mode, has lost the hourly value and has therefore switched to manual mode. <p>When it receives the hourly value from the gateway again, the thermostat returns to automatic mode and the flashing ends.</p>

* Amber with automatic colour or of the selected colour.

** Blue with automatic colour or of the selected colour.

N.B. During the selection phases, the display and part 2 of the ring flash and key flashes red. If no selection is made within 2 minutes, the thermostat quits the procedure.

To change the time without a blackout press for 5 s and perform the procedure from point 1 to 7 above.

INSTALLATION RULES.

- Installation and configuration must be carried out by qualified persons in compliance with the current regulations regarding the installation of electrical equipment in the country where the products are installed.
- The C-NO contact of the relay must be protected against overloads by installing a device, fuse or automatic 1-way switch, with a rated current not exceeding 10 A.
- Do not connect a SELV circuit to the C-NO terminals as there is no double insulation on the L-N terminals
- The device must be installed in a flush mounting box or surface mounting box with the related mounting frames and cover plates, at a height of 1.5 m above floor level, in a suitable position for the correct detection of the room temperature, avoiding installation in recesses, behind doors and curtains, areas affected by heat sources or subject to the flow of forced heating/cooling ventilation sources or affected by atmospheric factors. Avoid in particular installation on perimeter walls or in association with devices which generate heat (e.g. dimmers or lamps).

CHARACTERISTICS.

- Rated supply voltage: 100-240 V~, 50/60 Hz.
- Dissipated power: 0.55 W.
- RF transmission power: < 100mW (20dBm).
- Frequency range: 2400-2483.5 MHz.
- Terminals:
 - 2 terminals (L and N) for line and neutral
 - 2 terminals for external temperature probe (art. 02965.1)
 Maximum length of the external sensor connection cable: 10 m.
 Use a twisted cable with a minimum cross-section of 0.5 mm² (art. 01840).
- 2 C-NO relay terminals.
- Relay output with voltage-free contact: 5(2) A 240 V~
- Current settable setpoint: 4°C - 40°C.
- Temp. measurement precision (integrated probe): 0.5°C between +15°C and 30°C, 0.8°C at the extremes
- For use for Heating/Air Conditioning (winter/summer).
- Operating modes: Automatic, Manual, Reduction, Absence, Protection, Off, Timed Manual
- Temperature control algorithms: ON/OFF or configurable PID
- 4 front buttons for control and configuration/reset
- RGB LED for configuration status (flashing blue) and output status (configurable colour) signalling
- Operating temperature: T40 (0 °C +40 °C) (indoor use)
- Protection degree: IP30
- ErP classification (EU Reg. 811/2013): - ON/OFF: class I, contribution 1%. - PID: class IV, contribution 2%.
- Device in class II
- Number of manual cycles: 3,000
- Number of automatic cycles: 100,000
- Type of contact opening: micro-disconnection
- Type of action: 1BU
- Tracking index: PTI175
- State of pollution: 2
- Rated pulse voltage: 4000 V
- Software class: A
- Reading resolution: 0.1 °C
- Settings resolution: 0.1 °C
- Update of temperature displayed: every 10 s
- Room temperature display: 0 °C +40 °C
- Hysteresis adjustable via App: from 0.1 °C to 1 °C
- Hourly temperature setting (via App)
- Room temperature during transportation: -25 °C +60 °
- Clock error: ≤ 1 s per day
- With the View Wireless App, the Installer configures the thermostat and creates climate control programmes.
- With the View Wireless App and the View App, the Administrator creates or modifies climate control programmes.
- Controllable via View App, Alexa, Google, Siri and Homekit voice assistantfor

OPERATION.

In Bluetooth technology mode, the device should be configured using the View Wireless App. The App can be used to set the following parameters:

- Lighting in standby: high, medium, low, off; default = medium
- Circular ring indication selection: automatic or monochrome; default = automatic
- RGB colour selection: in the event of monochrome, possibility of setting the colour
- Temperature calibration for heating: between -5°C and +5°C with default = 0°C
- Temperature calibration for air conditioning: between -5°C and +5°C with default = 0°C
- External probe use: deactivated, average with the internal one, replacing the internal one; default = deactivated
- Relay output status: normally open, normally closed; default = normally open
- Control type: On/Off, PID; default = On/Off
- Hysteresis for On/Off control: between 0.1°C and 1°C; default = 0.2°C
- Proportional band for PID control: between 0.5°C and 5°C; default = 3°C
- Integrative time for PID control: between 5 min and 120 min; default = 20 min
- Derivative time for PID control: between 0 and 255 s, disabled; default = 0
- Cycle time for PID control: between 10 min and 30 min; default = 10 min

The View Wireless App can also be used to associate a magnetic or wired contact of art. 03980 to turn off the temperature control system in the event of an open window; in this case, the time for reaction and reactivation of contact opening and closing can be set:

- Reaction time: between 0 minutes (instantaneous) and 30 minutes; default = 0 minutes
- Reactivation time (time after which the thermostat is reactivated even without closing the window): between 0 (disabled) and 12 hours; default = 1 hour.

The View App can be used to set:

- Time schedules (times and temperature levels T1, T2 and T3)
- Setpoint for all operating modes (Manual, Reduction, Absence, Protection)
- Manual operation time: between 1 min and 23 hours (with 1-min steps); default = 60 min

USE.

The front buttons, the display, the dial and the lighting of the circular ring around the display can be used to set and display all the operating modes of the thermostat.

Use the dial to set a new setpoint. In particular, for operation in Bluetooth technology:

- in automatic operating mode, turn the dial for the thermostat to switch to manual operation for a period of time which can be set on the View App;
- in manual operation or reduction mode, the thermostat remains in this mode and the setpoint is that set on the dial.

REGULATORY COMPLIANCE.

RED Directive. RoHS directive. ErP directive.

EN 60730-2-7, EN 60730-2-9, EN 301 489-17, EN 300 328, EN 62479, EN 63000 standards.

Vimar SpA declares that the radio equipment complies with Directive 2014/53/EU. The full text of the EU declaration of conformity is on the product sheet available on the following website: www.vimar.com

Temperature control device regulation (EU) no. 811/2013.

REACH (EU) Regulation no. 1907/2006 – Art.33. The product may contain traces of lead.



WEEE - User information

The crossed bin symbol on the appliance or on its packaging indicates that the product at the end of its life must be collected separately from other waste. The user must therefore hand the equipment at the end of its life cycle over to the appropriate municipal centres for the differentiated collection of electrical and electronic waste. As an alternative to independent management, you can deliver the equipment you want to dispose of free of charge to the distributor when purchasing a new appliance of an equivalent type. You can also deliver electronic products to be disposed of that are smaller than 25 cm for free, with no obligation to purchase, to electronics distributors with a sales area of at least 400 m². Proper sorted waste collection for subsequent recycling, processing and environmentally conscious disposal of the old equipment helps to prevent any possible negative impact on the environment and human health while promoting the practice of reusing and/or recycling materials used in manufacture.

The Apple, iPhone and iPad logos are trademarks of Apple Inc., registered in the United States and in other Countries and Regions. App Store is a service trademark of Apple Inc. Google is a trademark of Google LLC. Amazon, Alexa and all related logos are trademarks of Amazon.com, Inc. or its affiliates.

CONNECTIONS: Circulation pumps, burners, solenoid valves and temperature probe

