

Connected 2-way switch

30802-20592.0-19592.0-14592.0: to be completed with 1- or 2-module interchangeable buttons.

19592-16492-14592: complete with button.

The device is equipped with 2 interlocked relay outputs for the switch function and it can also be connected to existing wired multi-way/two-way switches to make the load function "connected".

TWO OPERATING MODES (ALTERNATIVE)



Download the View Wireless App from the stores onto the tablet/smartphone you

will be using for configuration.

When the device is powered for the first configuration, we recommend you search for any new firmware and perform the update.

Depending on the mode you select, you will need:

Bluetooth	zigbee
Gateway art. 30807.x-20597-19597-14597	Smart Home Hub
View App for management via smartphone/tablet	Samsung SmartThings Hub Amazon Echo Plus, Eco Show or Echo Studio
Amazon Alexa, Google Assistant, Siri (Homekit) voice assistants for possible voice operation	

CONFIGURATION IN Bluetooth

- Create your Installer account on MyVimar (on-line).
- Wire all the devices in the system (2-way switches, actuators, thermostats, gateway, etc.).
- Start the View Wireless App and log in with the credentials you just created.
- Create the system and the environments.
- Associate all the devices with the environments, except for the gateway (which should be associated last).
To associate the 2-way switch:
 - Select "Add" (), choose the environment to place it and give it a name
 - Select : activate the Bluetooth connection on your tablet/smartphone and approach the 2-way switch
 - Press the button on the 2-way switch and set the desired function
- For every device, set the function, the parameters and any accessory devices (wired or radio control and related function).
- Transfer the configuration of the devices to the gateway and connect it to the Wi-Fi network.
- Transfer the system to the Administrator user (who must have created his/her profile on MyVimar).

For details please refer to the View Wireless App manual you can download from www.vimar.com - **DOWNLOAD** - View Wireless MOBILE - App

CONFIGURATION IN zigbee

Follow the procedure above from points 1 to 3.

Associate the device directly to a ZigBee Hub (e.g. Amazon Echo Plus, SmartThings Hub)

- Download the Zigbee software onto the device using the View Wireless App (see the View Wireless App manual). Press the button on the 2-way switch until the LED flashes. To update the software on the device, the procedure is the same.
- After conversion to Zigbee technology (or the software update), the 2-way switch automatically goes into pairing mode for 5 minutes. If the 2-way switch is not in pairing mode, cut off the power supply and restore it after a few seconds.
- Associate the 2-way switch according to the procedure envisaged by the ZigBee Hub.

Set the parameters of the 2-way switch

- Within the first 5 minutes after the device has been powered (already associated with ZigBee Hub), press the button for 15 s; this way, you can select the relay operation - between one-position stable and two-position stable (the LED flashes green for the two-position stable setting and amber for the one-position stable setting).
- Briefly press the button to switch from two-position stable to one-position stable and vice versa; once the choice has been made, press the button for 5 s to confirm. If you have set the two-position stable setting, the LED flashes green three times, whereas if you have chosen the one-position stable setting, you will move on to the next step (3).
- Press the button for 5 s to set the one-position stable activation time. Press the button briefly, the output is activated and the LED lights up amber permanently; at the end of the time you wish to set, press the button again. The output is deactivated and the LED flashes amber for 3 times to confirm the setting made.

N.B. When the voltage returns after a power outage, the relay maintains the state in which it was prior to the power supply cut out.

Summary of Zigbee technology mode signalling.

- During normal operation:

LED	Meaning
On (white for Linea, amber for Eikon, blue for Arké, green for Idea and Plana)	Relay active
Off	Relay not active

- In the configuration phase:

LED	Meaning
Flashing white (for max 5 min.)	Zigbee mode active hub gateway association
Flashing blue (for max 2 min.)	Pending receipt of a fw update
Blue permanently lit	Device associated with the smartphone via Bluetooth
Flashing green during the one-position stable/two-position stable configuration (for max 5 min.)	Setting in two-position stable
Flashing amber during the one-position stable/two-position stable configuration (for max 5 min.)	Setting in one-position stable
Amber permanently lit	One-position stable time setting
Flashing green 3 times	Confirms two-position stable setting
Flashing amber 3 times	Confirms one-position stable setting
Flashing green quickly 3 times	Device correctly associated with the voice assistant
On (white for Linea, amber for Eikon, blue for Arké, green for Idea and Plana)	Relay active during normal operation

CONTROLLABLE LOADS.

For correct load state signalling, connect a 2 W minimum load.

Loads - maximum				
100 V~	250 W	50 W	60 W	125 VA
240 V~	500 W	100 W	120 W	250 VA

RESETTING THE DEVICE.

The reset restores the factory settings. Within the first 5 minutes from powering, press the button for 30 s until the white LED flashes.

INSTALLATION RULES.

- Installation must be carried out by qualified persons in compliance with the current regulations regarding the installation of electrical equipment in the country where the products are installed.
- The device must be completed with interchangeable buttons and installed in flush mounting boxes or surface mounting boxes with Linea, Eikon, Arké and Plana mounting frames and cover plates.
- The electronic switch shall be protected by a directly associated fuse with a rated breaking capacity of 1500 A or circuit breaker with a rated current not exceeding 10 A.
- Installation must be carried out with the system switched off. **Install the buttons onto the switch mechanism before powering up the system.**

IMPORTANT: the electronic switch must be powered with the same L and N that power the load. In the event of installation with wired multi-way/two-way switches, the electronic switch should be connected so that it is always powered and therefore should be installed instead of the wired two-way switch furthest from the load.

CHARACTERISTICS.

- Rated supply voltage: 100-240 V~, 50/60 Hz.
- Dissipated power: 0.55 W
- RF transmission power: < 100mW (20dBm)
- Frequency range: 2400-2483.5 MHz
- Switching on zero crossing
- Terminals:
 - 2 terminals (L and N) for line and neutral
 - 1 terminal (P) for connection to the remote wired control (for instance art. 30008-20008-19008-16080-14008). **The max distance between the IoT device and the push button is 50 m with a cable with a minimum cross-section of 1.5 mm².**

Connected 2-way switch

- 2 terminals (1 and 2) for the switch output
- Front button that is used both to control the load and as a configuration push button.
- RGB LED indicating the load status (which can be set from the View Wireless App) and the configuration status (flashing blue)
- In Bluetooth technology mode, you can associate up to 2 radio devices (art. 03925) which make it possible to control the actuator or activate a scenario.
- Operating temperature: -10 ÷ +40 °C (indoor)
- Protection degree: IP20
- Configuration from View Wireless App for Bluetooth technology system and Amazon App for Zigbee technology.
- Controllable via View App.

OPERATION IN Bluetooth technology MODE.

The device operates by default in Bluetooth technology mode and this standard makes it possible to:

- recall a scenario using the traditional push button connected to the connected switch;
- associate the radio control 03925 which can be configured to control the actuator on-board or to recall a scenario.

Through the use of gateway 30807.x-20597-19597-16497-14597 the functions can be managed locally or remotely via the View App, and the control is also available via the voice assistants Amazon Alexa, Google Assistant and Siri.

The device is also compatible with Homekit.

N.B.: From fw version 1.7.0, the device works as a repeater node for battery-operated devices (for instance art. 03980).

Settings.

The View Wireless App can be used to set the following parameters:

- RGB LED for backlighting: colour can be selected from a default list (default: white for Linea, amber for Eikon, blue for Arké and green for Idea and Plana).
- LED brightness: off, low, medium, high for active load (default: high) and for off load (default: off).
- Load status when the voltage is restored: off, on or previous status (default: previous status).
- Relay operation: two-position stable or one-position stable (default: two-position stable).
- One-position stable activation time (default: 60 s).

REGULATORY COMPLIANCE.

RED Directive. RoHS directive.

Standards EN IEC 60669-2-1, EN IEC 63000, EN 301 489-17, EN 300 328, EN 62479.

Vimar SpA declares that the radio equipment complies with Directive 2014/53/EU. The full text of the EU declaration of conformity is on the product sheet available on the following website: www.vimar.com

REACH (EU) Regulation no. 1907/2006 – Art.33. The product may contain traces of lead.

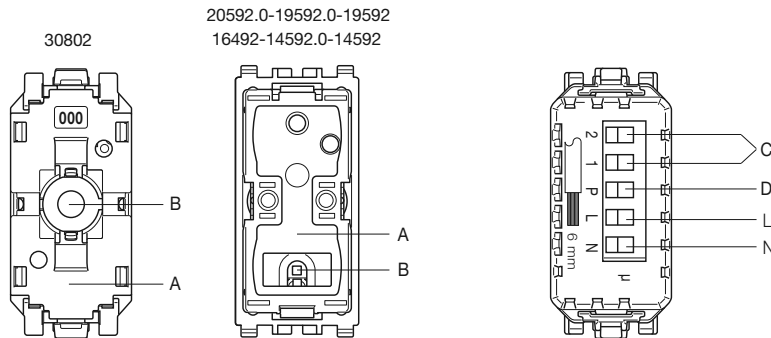


WEEE - User information

The crossed bin symbol on the appliance or on its packaging indicates that the product at the end of its life must be collected separately from other waste. The user must therefore hand the equipment at the end of its life cycle over to the appropriate municipal centres for the differentiated collection of electrical and electronic waste. As an alternative to independent management, you can deliver the equipment you want to dispose of free of charge to the distributor when purchasing a new appliance of an equivalent type. You can also deliver electronic products to be disposed of that are smaller than 25 cm for free, with no obligation to purchase, to electronics distributors with a sales area of at least 400 m². Proper sorted waste collection for subsequent recycling, processing and environmentally conscious disposal of the old equipment helps to prevent any possible negative impact on the environment and human health while promoting the practice of reusing and/or recycling materials used in manufacture.

Apple HomeKit is a trademark of apple Inc. App Store is a service mark of Apple Inc. To control this HomeKit-enabled accessory, iOS 9.0 or later is recommended. Controlling this HomeKit-enabled accessory automatically and away from home requires an apple TV with tvOS 10.0 or later or an iPad with iOS 10.0 or later or a HomePod/Siri set up as a home hub. The Apple logo, iPhone, and iPad are trademarks of Apple Inc., registered in the U.S. and other countries and regions. App Store is a service mark of Apple Inc. Google, Google Play and Google Home are trademarks of Google LLC. Amazon, Alexa and all related logos are trademarks of Amazon.com, Inc. or its affiliates.

FRONT AND BACK VIEW



A: Button

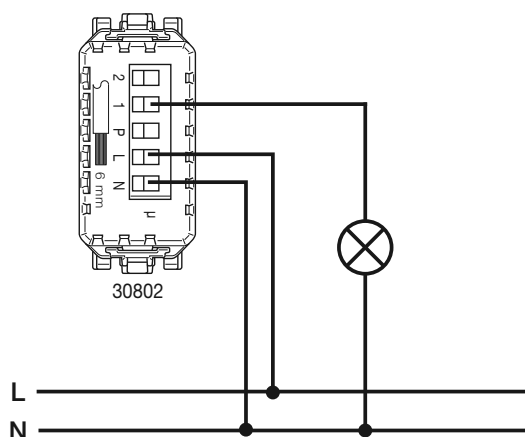
B: LED

C: Output for connection to a reversing switch or an electro-mechanical switch

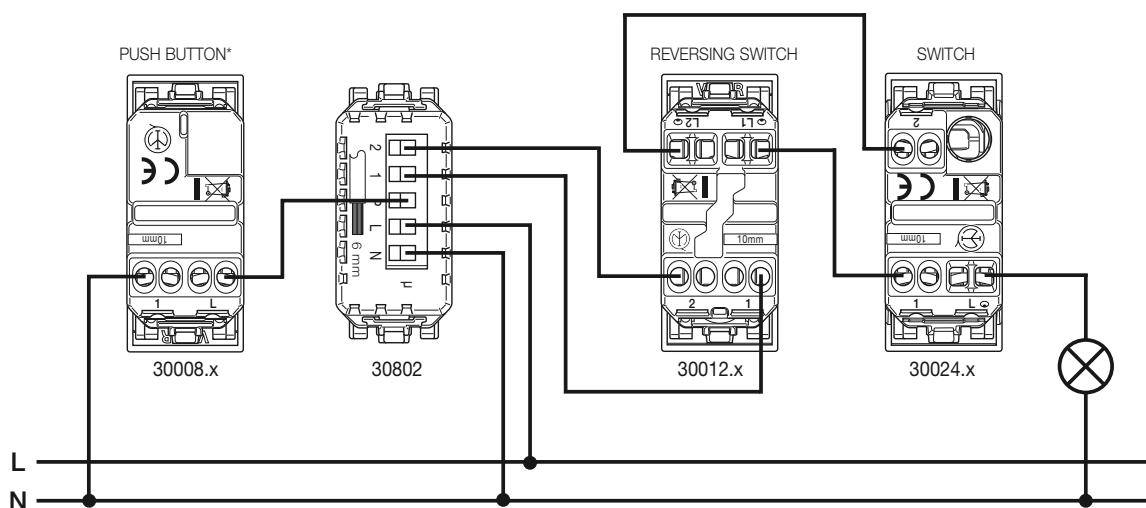
D: Input for wired push button: remote control (for Bluetooth technology and Zigbee technology mode) or scenario recalling (only for Bluetooth technology mode)

CONNECTIONS

Connecting an individual lighting device



Example of a light circuit with push buttons and relays in a new system.



* Can recall a scenario involving lights/roller shutters/socket outlets controlled in the system (only for Bluetooth technology mode).

IMPORTANT: the electronic switch must be powered with the same L and N that power the load. In the event of installation with wired multi-way/two-way switches, the electronic switch should be connected so that it is always powered and therefore should be installed instead of the wired two-way switch furthest from the load.

Example of a two-way switch with traditional push buttons in a new system. For lighting devices with relays.

