

01971

Actuator with 4 change-over relay outputs 10 A, 12-24 V ~ 50-60 Hz, or 12-24 V d.c., installation on EN 50022 rails, occupies 6 modules of 17,5 mm - grey RAL 7035.

### CHARACTERISTICS.

- Rated supply voltage: BUS 29 V
- Power: 12-24 V~ ± 10% or 12-24 V d.c. ± 10%
- Consumption:
  - 12 V ~: 400 mA      12 V d.c.: 230 mA
  - 24 V ~: 240 mA      24 V d.c.: 120 mA
- Changeover relay outputs
- Controllable loads at 12-24 V~ or 12-24 V d.c.:
  - resistive loads: 10 A (20.000 cycles)
  - incandescent lamps: 10 A (20.000 cycles)
  - LED spot lamps: 10 A (20.000 cycles)
- 6 modules of 17,5 mm.

### CONFIGURATION.

FOR THE OPERATIONS OF INSTALLATION AND CONFIGURATION, SEE THE By-me SYSTEM INSTRUCTIONS MANUAL.

- Functional blocks: 4 (one for each relay); each block can belong to at the most 4 groups
- Selecting the functional block (configuration): during group creation, when the control unit requires pressing the device button:
  - press the button once or more to select one of the 4 relays, the selected relay is indicated by the respective green LED coming on;
  - wait for the red LED to light up;
  - with the red LED on, the control unit will configure the functional block; at the end of this operation the red LED will go out.

### PARAMETERS.

- one- or two-position stable operation;
- on delay and off delay: a value between 0 and 200 gives the time in seconds, a value between 201 and 250 gives the time in minutes (for example 201 = 1 minute, 202 = 2 minutes, etc.);

#### Monostable operation.

On delay: delay in closing the NO contact of the relay from receiving the close command.

Off delay: time for which the relay has the NO contact closed.

#### Bistable operation.

On delay: delay in closing the NO contact of the relay from receiving the ON command.

Off delay: delay in opening the NO contact of the relay from receiving the OFF command.

#### Note.

If a group is created with a number of relays in one-position stable mode, set for all the same on and off delays and do not insert any other types of actuator in the same group; in this way, it is possible to have the status of the one-position stable relay indicated on the control button. For special requirements it is possible to use the group depth (for example to switch on two-position stable relays or dimmers with a single button).

- Default parameters: relay set on two-position stable operation with null on and off delay.

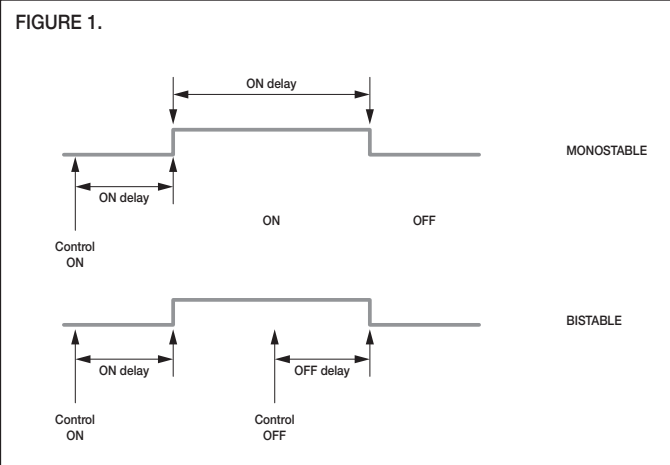
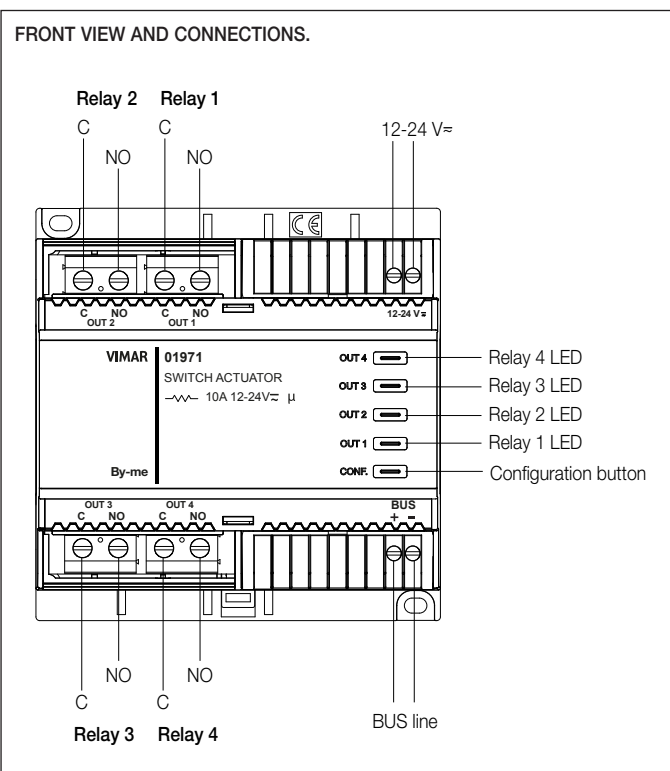
### SCENARIOS.

The actuator can belong to up to 4 different scenarios and, for each scenario, save the status to retrieve when activating the scenario.

### INSTALLATION RULES.

Installation should be carried out by qualified personnel in compliance with the current regulations regarding the installation of electrical equipment in the country where the products are installed.

For further instructions, please see the manual attached to the control panel.



### CONFORMITY TO STANDARDS.

EMC directive. Standards EN 50428, EN 55025.

For MARINE use, this device has been submitted to the following tests:

IEC 60068-2-52 - Test Kb: Salt mist, cyclic (sodium, chloride solution),

IEC 60068-2-6 - Test Fc: Vibration (sinusoidal)



#### RAEE - Informazione agli utilizzatori

If the crossed-out bin symbol appears on the equipment or packaging, this means the product must not be included with other general waste at the end of its working life. The user must take the worn product to a sorted waste center, or return it to the retailer when purchasing a new one. Products for disposal can be consigned free of charge (without any new purchase obligation) to retailers with a sales area of at least 400 m<sup>2</sup>, if they measure less than 25 cm. An efficient sorted waste collection for the environmentally friendly disposal of the used device, or its subsequent recycling, helps avoid the potential negative effects on the environment and people's health, and encourages the re-use and/or recycling of the construction materials.