



46908.465

850nm IR spotlight, projection 50-80m 45°

CCTV



The arrow symbol in the shape of a lightning flash inside an equilateral triangle is intended to alert the user of the presence of uninsulated dangerous voltage inside the product's container, that may be of sufficient intensity to pose a risk of electric shock to people.



The symbol of the triangle with an exclamation mark is intended to alert the user of the presence of important operating and maintenance (servicing) instructions in the documentation accompanying the device.

INFORMATION: This equipment has been tested and found to comply with the limits set for a Class A digital devices, pursuant to Part 15 of the FCC and CE standards. These limits are designed to provide reasonable protection against harmful interference when the equipment is operated in a commercial environment. This equipment generates, uses, and can radiate radio frequency energy and, if not installed and used in accordance with the instruction manual, it may cause harmful interference to radio communications. The use of this equipment in a residential area is likely to cause harmful interference that the users might have to correct at their own expense.

WARNINGS: Changes or modifications not expressly approved by the manufacturer could void the user's right to operate the equipment.

CAUTION: To avoid the risk of electric shock and fire hazards:

DO NOT use power sources other than those specified.

The installation must be performed by a qualified technician and it must comply with all local regulations.



VIMAR group

Via Pontarola, 14/a
35011 Campodarsego PD - Italy
Tel. +39 049 920 2511
Fax +39 049 920 2603
www.elvox.com ☎ 800-760337



S6I.46908.465.EN RL.00 13 03
ELVOX - Campodarsego - Italy

CCTV



CCTV

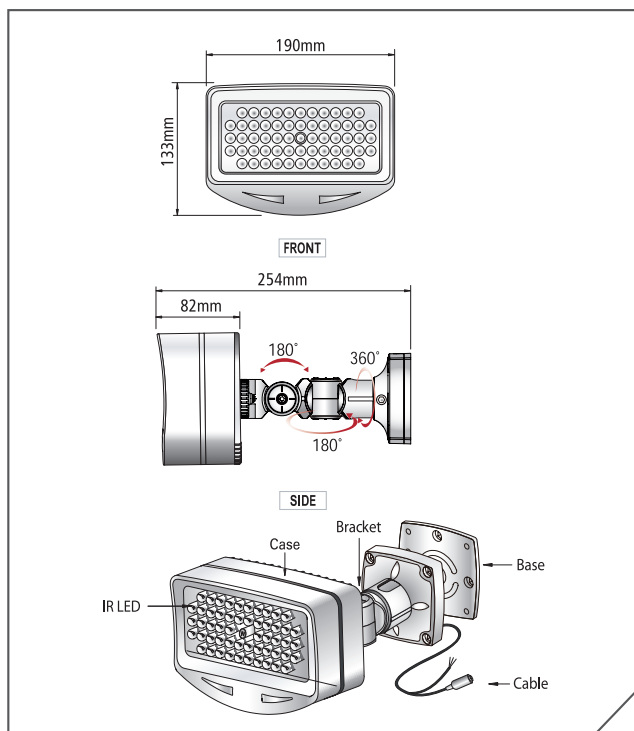


1. Tips for Installation

- Make sure the camera is able to perceive the IR light on the same wavelength as the illuminator.
- Choose the most appropriate illuminator, depending on the angle of emission and on the indicated capacity.
- Test the illuminator in complete darkness, because it won't turn on if there's enough brightness for a colour camera shoot.
- Avoid the presence of strong light sources, such as street lamps or reflected light that would prevent activation.
- Place the illuminator about 10/13 feet above the ground, not far from the area to be lit, otherwise the lighting effect will be mitigated.
- The light should be installed above the (or along side of) the camera.
- IT IS also possible to arrange the illuminator at another point, but not in front of the camera.
- The lighting capability is highly variable depending on many factors, including the refraction from the surrounding environment, the sensitivity of the camera, and, especially, the focal length and aperture.
- PLEASE, keep in mind that the nominal lighting capacity is tested with focused lenses, while using wide-angle lenses will reduce it drastically

2. Dimensions

*Night light * 50-80m / 114 ø8 built-in infrared LED



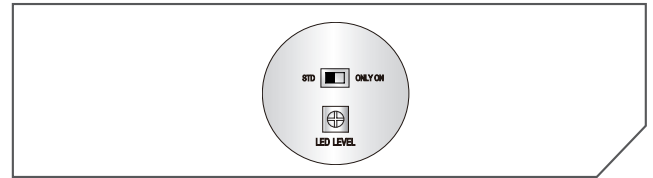
3. Specifications

- CDS integrated sensor
- Easy to connect
- Up to 50-80m
- Weather-proof metal housing
- 5~10 Lux LED ON
- 114 lighting (850 mm)
- 2,5A Max
- 0 Lux
- 190 mm (L) * 133 mm (A) * 254 mm (P)
- Multi-axis bracket for easy installation
- External signal
- Power supply DC 12 V

EN

Digital Video Security Systems

4. Adjustment panel



EN

5. Package



LED lamp
1EA



BASE ADAPTER 1EA



ALLEN KEY
1EA



HEXAGON SOCKET
SCREW 4EA



SCREW
4EA

EN

EN