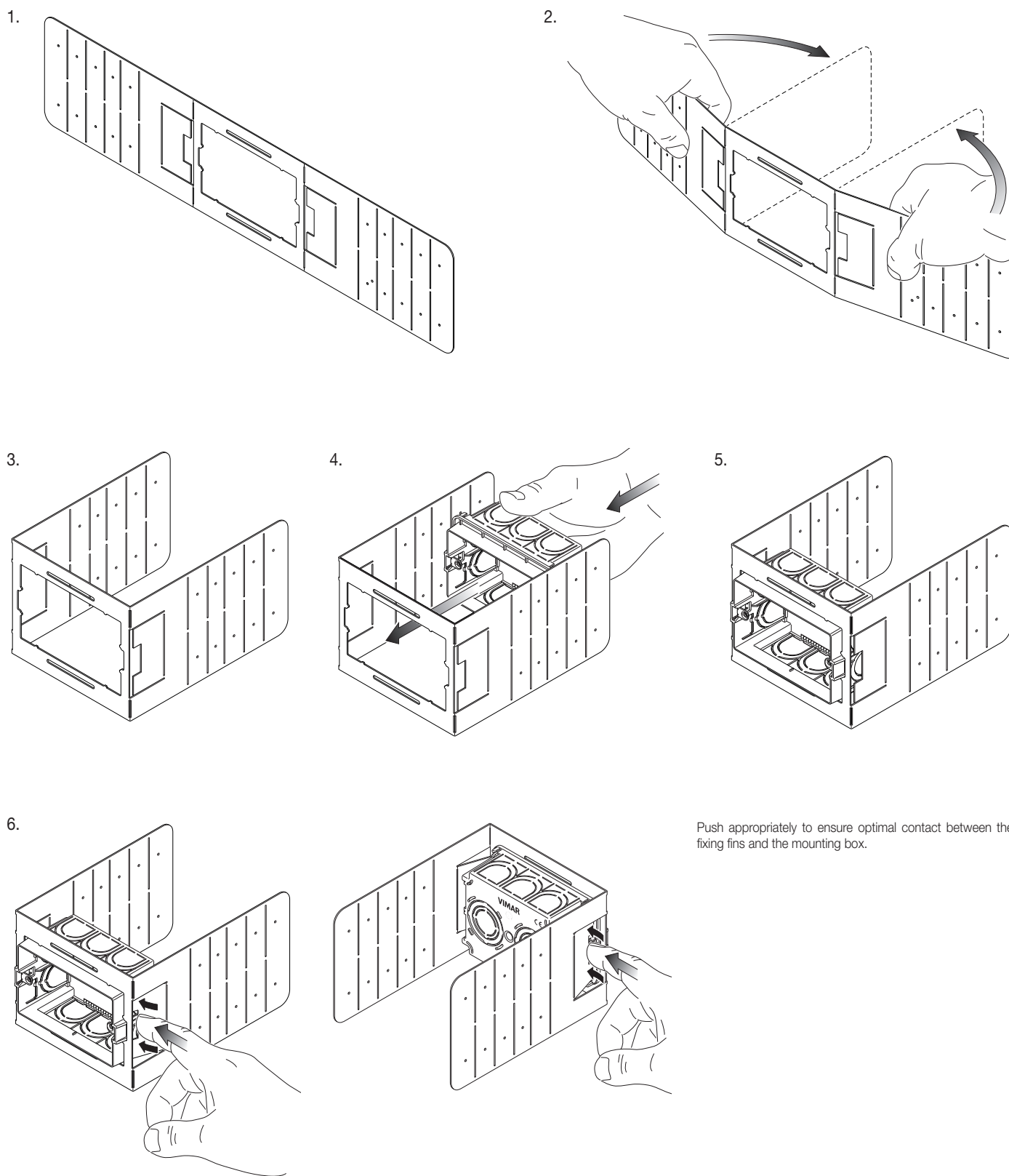
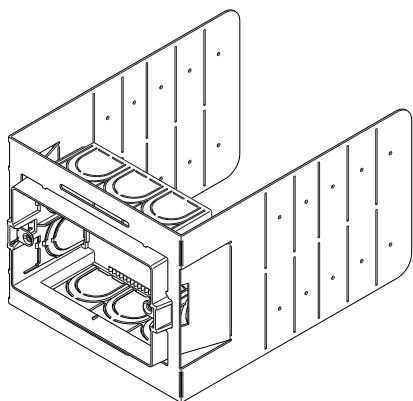


Bracket for surface mounting 3-module connector block box V71303.AU for mounting on outdoor walls to be covered with an insulating coat (80 mm, 100 mm, 120 mm or 140 mm thick) and on indoor hollow walls (75 mm and 100 mm thick).

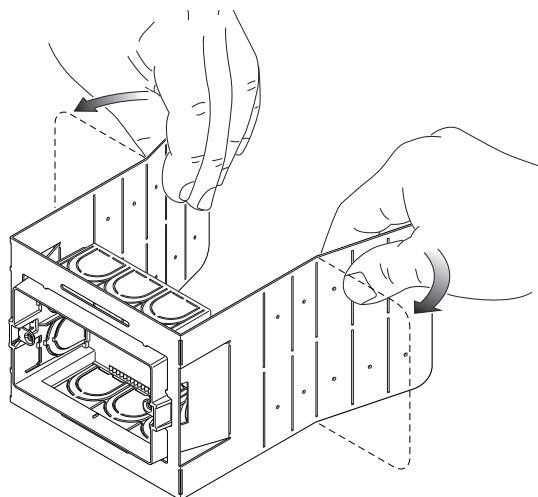
**INSTALLATION**


Push appropriately to ensure optimal contact between the fixing fins and the mounting box.

7.

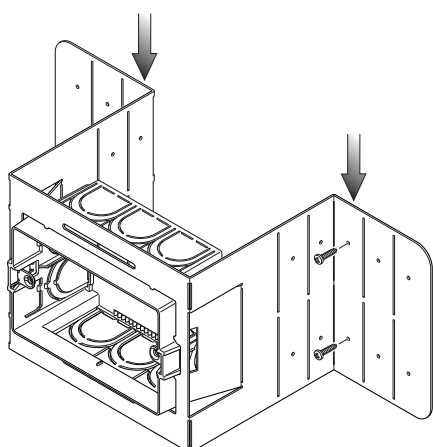


8.



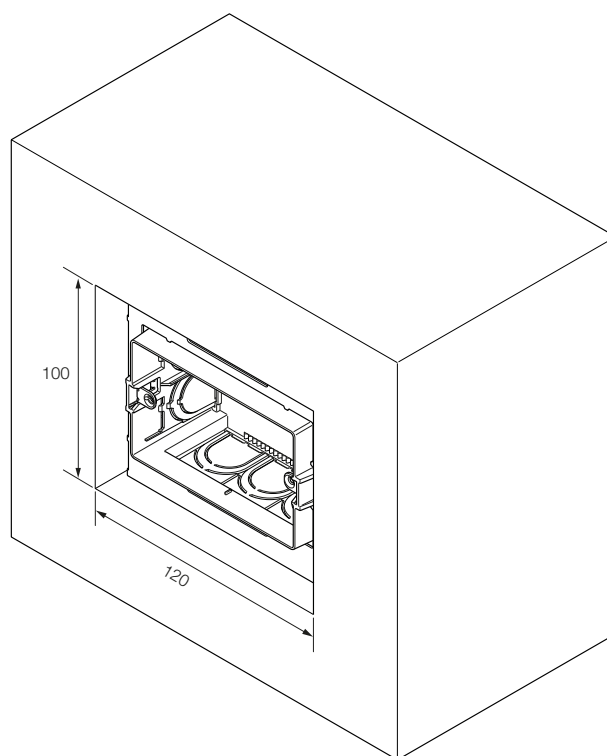
Bend according to the dimensions indicated on the product label depending on the height at which you wish to position the mounting box.

9.



The bracket must be fixed using the holes closest to the bracket base bend (if necessary using suitable adaptors such as screwdriver extensions, etc.).

10.



Use fixing foams, fill the empty space behind the mounting box. Lastly, trim the front.