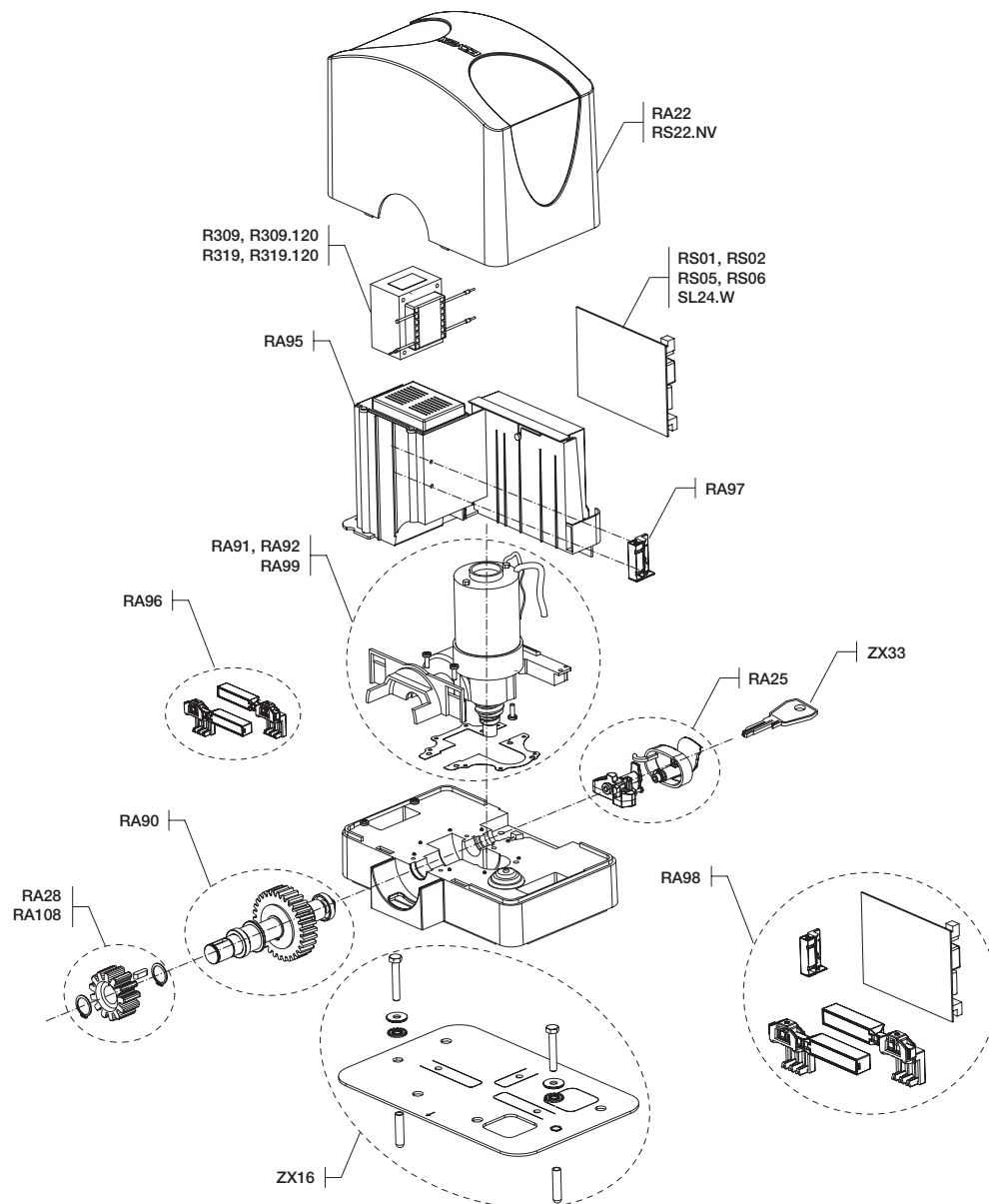


ACTO 400D, 600D and 1000D series (ESM1, ESM1.120, ESM2, ESM2.120, ESM2.D, ESM2.W, ESM2.1000.W)



Spare part	Spare part description	Contained in
R309	230-12V~ 150VA transformer, for ESM1 operators and ECA1 control panels	ESM1
R309.120	120-12V~ 150VA transformer, for ESM1.120 operators and ECA1.120 control panels	ESM1.120
R319	230-24V~ 150VA transformer, for ESM2 operators and ECA5 control panels	ESM2, ESM2.D, ESM2.W, ESM2.1000.W
R319.120	120-24V~ 150VA transformer, for ESM2.120 operators and ECA5.120 control panels	ESM2.120
RA22	Cover for ESM2	ESM2.W, ESM2.1000.W
RS22.NV	Cover for ESM1 and ESM2	ESM1, ESM1.120, ESM2, ESM2.120, ESM2.D
RA25	Release and key for ESM1 and ESM2	ESM1, ESM1.120, ESM2, ESM2.120, ESM2.D, ESM2.W, ESM2.1000.W
RA28	Pinion for ESM1 and ESM2, Ø 52 - 13 teeth	ESM1, ESM1.120, ESM2, ESM2.120, ESM2.D, ESM2.W, ESM2.1000.W
RA108	Increased pinion for ESM1 and ESM2, Ø 68 - 17 teeth	ESM1, ESM1.120, ESM2, ESM2.120, ESM2.D, ESM2.W, ESM2.1000.W
RA90	Gearbox assembly for ESM1 and ESM2. It includes shaft, gear, bushings and circlips	ESM1, ESM1.120, ESM2, ESM2.120, ESM2.D, ESM2.W, ESM2.1000.W
RA91	Motor assembly for ESM1. It includes flange, seals, bearings, worm-drive and aluminium casting fastening screws	ESM1, ESM1.120
RA92	Motor assembly for ESM2. It includes flange, seals, bearings, worm-drive and aluminium casting fastening screws	ESM2, ESM2.120, ESM2.D, ESM2.W
RA99	ESM2.1000 engine group with flange, seals, bearings, endless screw and actuator anchoring screws	ESM2.1000.W
RA95	Electronic board and transformer support and cover assembly for ESM1 and ESM2	ESM1, ESM1.120, ESM2, ESM2.120, ESM2.D, ESM2.W, ESM2.1000.W
RA96	Limit switch brackets and magnets for ESM2 and ESM7 sliding gate operators. In conjunction with RA97 it allows limit switch operation of ESM1 instead of mechanical stop operation	ESM2, ESM2.120, ESM2.D, ESM2.W, ESM2.1000.W
RA97	Magnetic sensor for ESM2 limit switches. In conjunction with RA96 it allows limit switch operation of ESM1 instead of mechanical stop operation	ESM2, ESM2.120, ESM2.D, ESM2.W, ESM2.1000.W
RA98	Conversion kit for 12V sliding gate operators with mechanical stop operation to magnetic limit switches sliding gate operators	
RS01	Trimmer and dip-switches control board for 12V ACTO sliding gate operators, with built-in 433 MHz radio receiver	ESM1, ESM1.120
RS02	Display control board for 12V ACTO sliding gate operators, with built-in 433 MHz radio receiver	
RS05	Trimmer and dip-switches control board for 24V ACTO sliding gate operators, with built-in 433 MHz radio receiver	ESM2, ESM2.120
RS06	Display control board for 24V ACTO sliding gate operators, with built-in 433 MHz radio receiver	ESM2.D
SL24.W	Control card with display and built-in 433 MHz radio receiver for 24 V sliding gates operator. Suitable for the Wi-Fi connection with smartphone and tablet by using the communication module EMC.W	ESM2.W, ESM2.1000.W
ZX16	Anchor base for ESM1 and ESM2	ESM1, ESM1.120, ESM2, ESM2.120, ESM2.D, ESM2.W, ESM2.1000.W
ZX33	Blank release key for ESM1, ESM2, EAM2, EAM3	ESM1, ESM1.120, ESM2, ESM2.120, ESM2.D, ESM2.W, ESM2.1000.W