



Surface mounting components: By-alarm - 64-zone control unit 230V~

01703

Safety / By-alarm Plus / Surface mounting components / Non-modular components

By-alarm - 64-zone control unit 230V~

By-alarm programmable control panel that can be managed via display keyboard, power supply 230 V~ 50 Hz, 8 local inputs expandable to 64 via the expansion modules, 1 power supply output 13.8 Vdc 1.5 A expandable with additional power supply unit, 1 alarm relay output, 1 change-over relay output 3 A 24 V~ expandable with another 64 via expansion modules, complete with metal enclosure, surface mounting



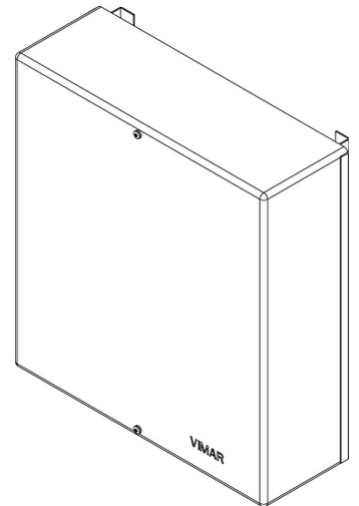
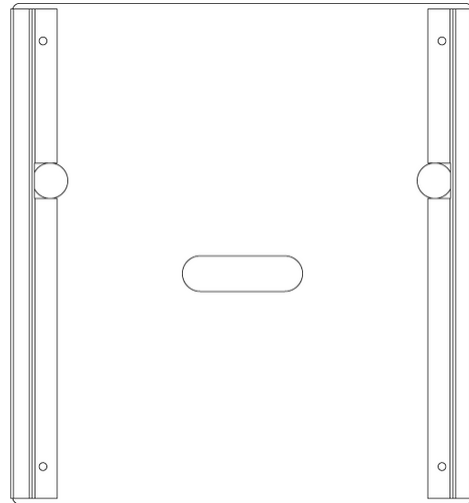
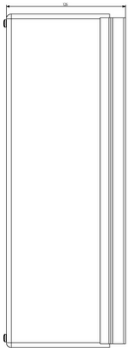
9 - Discontinued



- [Multilanguage instructions sheet \(527 kb\)](#)
- [Manuale per l'installazione \(4668 kb\)](#)
- [Installation manual \(4594 kb\)](#)
- [Programming manual \(1783 kb\)](#)
- [Manuale di programmazione \(2430 kb\)](#)



- [SW_By-alarmManager-EN_REL-02.01_20201127.zip](#)
- [SW_By-alarmManager-IT_REL-02.01_20201127.zip](#)



3D 

