



## PLANA: Dimmer 120V 30-500W/30-300VA white

**14147**

Wiring devices / Traditional wiring devices / PLANA / Devices

### Dimmer 120V 30-500W/30-300VA white

Dimmer, 120 V~ 50-60 Hz, for: 30-500 W incandescent lamps, 30-300 VA ferromagnetic transformers, control and regulation by rotary potentiometer, visible in darkness, white



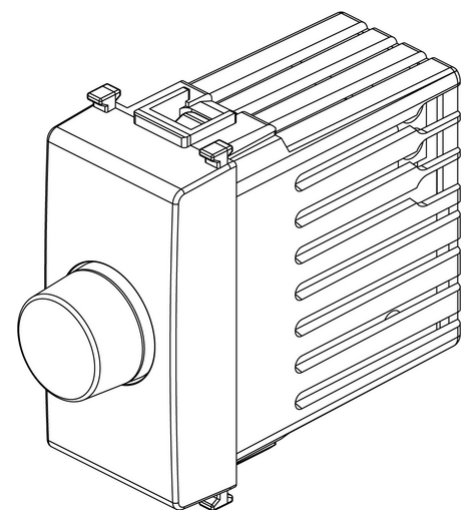
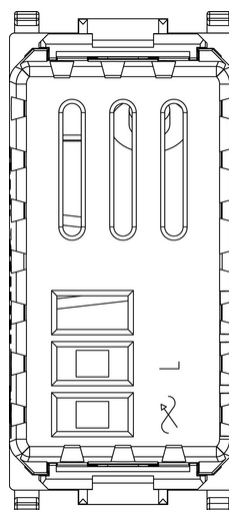
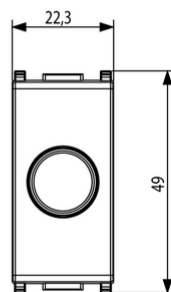
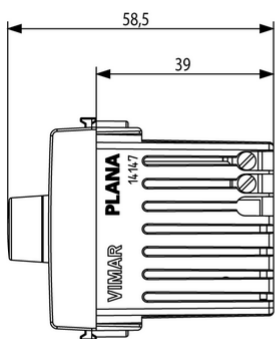
3 - Active



20 NR



- [Multilanguage instructions sheet \(542 kb\)](#)



3D



- 00. CE Marking - EU
- 19. NOM - Mexico



**Class group:** Domestic switching devices

**Class:** Dimmer

**Operating method:** Turn button

**Type of load:** Inductive load

**Applicable with button:** No

**Applicable with movement sensor:** No

**Applicable with presence indicator:** No

**Applicable with time switch/timer:** No

**Applicable with transmission button:** No

**Applicable with infrared button:** No

**Mounting method:** Flush-mounted

**Type of fastening:** Click in mounting

**Material:** Plastic

- 37. Marking - Morocco

- 99. WEEE Directive ([download](#))

**Material quality:** Thermoplastic

**Surface protection:** Untreated

**Surface finishing:** Glossy

**Colour:** White

**RAL-number (similar):** 9003

**Transparent:** No

**Suitable for degree of protection (IP):** IP40

**Nominal voltage:** 120,00 - 120,01 V

**Frequency:** 50,00 - 60,00 HZ

**Control voltage:** 120,00 - 120,01 V

**Device width:** 22,30 mm

**Device height:** 49,00 mm

**Device depth:** 58,50 mm



8 007352 146433

8007352146433

**Qtà** 1 NR

6x2.8x5.3 [cm]

47.73 [g]



8 007352 146440

8007352146440

**Qtà** 20 NR

28.1x13.1x6 [cm]

1,029.73 [g]



Vimar