



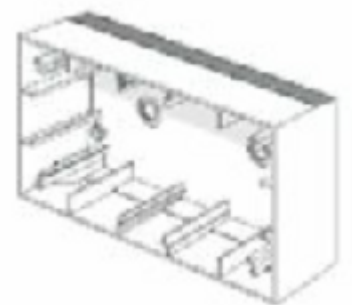
Connector block boxes: Surface mounting box Idea white

16894.B

System infrastructure / Enclosures and control units / Connector block boxes
/ Surface mounting

Surface mounting box Idea white

Surface mounting box, Idea white. Dimensions: 248x146x74,5 mm



2 - Will be discontinued

1 NR

- **Class group:** Connection material (electrotechnical)
- **Class:** Box/housing for surface mounting on the wall/ceiling
- **Max. conductor cross section:** 0
- **Equipped with:** None
- **Shape:** Rectangular
- **Mounting method:** Wall-/ceiling mounting
- **For tube diameter:** 20/25 mm
- **Inlet from the rear:** Yes
- **Length:** 146,00 mm
- **Width:** 248,00 mm
- **Depth:** 74,50 mm
- **Diameter:** 0 mm
- **Tackable:** No
- **Number of inlets:** 6
- **Type of housing feed-through:** None
- **Material:** Plastic
- **Halogen free:** Yes
- **Surface protection:** Untreated
- **Colour:** White
- **Degree of protection (IP):** IP20
- **Cover model:** Other
- **Transparent cover:** No
- **Cover attachment:** Screwed
- **Castable:** No
- **With casting compound:** No
- **Sealable:** No
- **Rated insulation voltage Ui:** 450 V
- **Circuit integrity:** None
- **With screening:** No
- **Weatherproof:** No
- **Operating temperature:** 0 - 60 °C
- **Explosion-tested version:** No
- **For Ex-zone gas:** None
- **For Ex-Zone dust:** None



8007352095588
1 NR
28.4x18.4x7.5 [cm]
374.4 [g]

Vimar