



Junction boxes: Flush junction box 248x248x120mm

V70207

System infrastructure / Enclosures and control units / Junction boxes / Flush mounting

Flush junction box 248x248x120mm

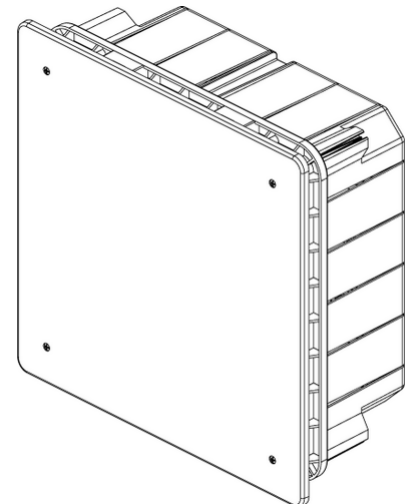
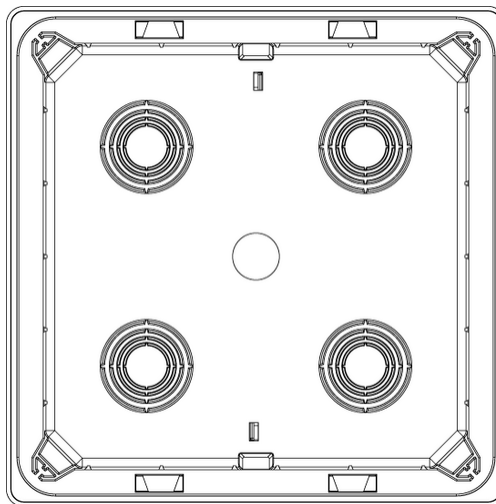
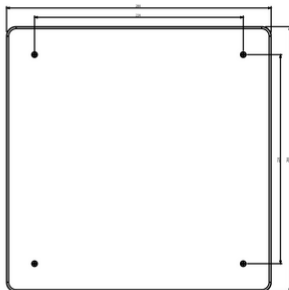
Flush mounting junction box with white cover and fixing screws, provided with 1 dividing screen and 2 joint plates . Dimensions 248x248x120 mm



3 - Active



8 NR



3D



• 00. CE Marking - EU

• 01. IMQ - Italy ([download](#))

• 50. Product Environm. Profile

• 96. Electrotechnical expert ([download](#))



Class group: Electrical installation, isolation and connection material

Class: Box/housing for built-in mounting in the wall/ceiling

Mounting method: Flush-mounted

Shape: Rectangular

Construction type: Device connection box (round/square)

Model: Other

Provided with revolving ring: No

Couplable: Yes

Equipped with: None

Diameter: 0 mm

Length: 248,00 mm

Width: 312,00 mm

Depth: 0,00 - 120,00 mm

Inner depth: 120,00 mm

For number of device inserts: 0

Mounting switching equipment: Spread

With screws: No

Housing feed-through by break-out opening: Yes

Housing feed-through by seal membrane: No

Housing feed-through by nozzle: No

Housing feed-through by step membrane: No

For tube diameter: Other

Pipe locking: No

Pipe locking optional: No

Inlet from the rear: Yes

Number of inlets: 20

Number of included spouts: 0

Material: Plastic

Halogen free: Yes

Surface protection: Untreated

Colour: Blue

Degree of protection (IP): IP00

Cover model: Blind cover

Transparent cover: No

Cover attachment: Screwed

Sealable: No

Circuit integrity: None

With screening: No

Airtight: No

Max. conductor cross section: 0 mm²

Number of poles of the clamp: 0

Clamp position fixed: No

Luminaire hook mounting: No

Nozzle: None

Special application: None



8007352312371

Qtà 1 NR
 28.4x28.4x12.6 [cm]
 790.53 [g]



8007352312395

Qtà 8 NR
 59x39x44 [cm]
 7,378 [g]



8007352352537

Qtà 128 NR
 80x120x190 [cm]
 123,000 [g]



V70191 - Joint plate for junction boxes yellow



V70198 - Junction box cover screw 30mm



V70199 - Junction box cover screw 50mm



V70307 - High-resistance cover for V70207



Vimar